

**DIVE SUPPLY**



# PRICE LIST

DIVING, SNORKELING & WATER SPORTS EQUIPMENT

**RETAIL**  
**2024**



Dive Supply Main Office (Phuket)  
sales@divesupply.com  
Tel : +66 (0) 76 383 414-6  
Fax : +66 (0) 76 281 525

Dive Supply Bangkok  
contact@divesupplybkk.com  
Tel : +66 (0) 2 354 4815  
Fax : +66 (0) 2 354 4819

Dive Supply Koh Tao  
kohtao@divesupply.com  
Tel : +66 (0) 95 424 4273

Koh Chang Dive Supply  
info@kohchangdivesupply.com  
Tel : +66 (0) 39 551 518  
Fax : +66 (0) 39 551 519

[www.divesupply.com](http://www.divesupply.com)





# INDEX

## **DIVING & SNORKELING EQUIPMENT**

|   | <b>PAGE</b> |
|---|-------------|
| ■ School Sets & Rental Equipment  | 5           |
| ■ Regulators  | 7           |
| ■ BCDs  | 8           |
| ■ Technical Diving Equipment  | 8           |
| ■ Instruments: • Consoles • Gauges • Compasses                                    | 10          |
| ■ Dive Computers: • SUUNTO • Scubapro   | 11          |
| ■ Masks • Snorkels • Snorkeling Sets  | 12          |
| ■ Fins  | 15          |
| ■ Boots • Gloves  | 17          |
| ■ Wetsuits • Lycra • Rashguards   | 18          |
| ■ Dry Bags  | 19          |
| ■ Gear Bags • Lift Bags • Pelican Cases   | 20          |
| ■ Cameras   | 21          |
| ■ Lights • Torches • Knives   | 22          |
| ■ Nitrox Equipment • First Aid Equipment • Oxygen Kits • CPR Manikins             | 23          |
| ■ Life Vests • Signalling Devices • Surface Markers, Floats & Buoys               | 24          |
| ■ Log Books • Log Binders • Log Inserts   | 25          |
| ■ Marine Guides • Fish ID Cards • Slates  | 25          |
| ■ Mouthpieces • Mask & Snorkel Parts • Fin Straps, Buckles & Parts • Other Straps | 25          |
| ■ Clips, Hooks & Coils • Retractors • Reels                                       | 28          |
| ■ BCD Parts • Weight Belts • Weights  | 29          |
| ■ Liquids & Cleaning Solutions • Regulator Accessories                            | 30          |
| ■ Hoses • HP Swivels  | 31          |
| ■ Tools • Workshop Needs • Computer Batteries                                     | 32          |
| ■ Suunto Spare Parts • Regulator Service Kits                                     | 33          |
| ■ Promotion Items   | 36          |

## **TANKS & VALVES including PARTS, ACCESSORIES**

|   |    |
|---|----|
| ■ Tanks • Valves  | 37 |
| ■ Valve Spare Parts   | 37 |
| ■ Valve Parts: • THERMO • Deep Blue • SMT • SHERWOOD • XS Scuba | 38 |
| ■ O-Rings • Viton O-Rings                                       | 41 |

## **COMPRESSORS including PARTS, ACCESSORIES**

|  |    |
|--|----|
| ■ Portable Models: • Bauer Junior • Capitano • Mariner • Poseidon        | 42 |
| ■ Stationary Models: • Mini Verticus • Verticus • Poseidon               | 43 |
| ■ Aero-Guard • Aerotest  | 44 |
| ■ Optional Equipment Compact, Profi Line, Mini Verticus & Verticus       | 45 |
| ■ Optional Equipment Poseidon, MVE & VE-Range                            | 45 |
| ■ Maintenance Kits • Various Parts Bauer • External Purification Systems | 46 |
| ■ Parts General • Filling Valves, Adapters & Gauges • Filling Hoses      | 47 |
| ■ Storage Bottles & Parts  | 48 |

## **SERVICE, RENTAL & CUSTOM CHARGES**

|                              |    |
|------------------------------|----|
| ■ Service & Rental Charges   | 49 |
| ■ Custom Prints & Embroidery | 51 |

### **Color Codes:**

|               |                  |                |                   |                     |             |
|---------------|------------------|----------------|-------------------|---------------------|-------------|
| B = Blue      | BL = Blue Lagoon | C = Clear      | Ci = Citrus       | Co = Cobalt         | G = Green   |
| Gp = Graphite | Gy = Grey        | K = Black      | KO = Black Orange | KS = Black Silicone | Li = Lime   |
| O = Orange    | Pi = Pink        | PD = Pink Diva | Pu = Purple       | R = Red             | T = Teal    |
| Ti = Titanium | Tq = Turquoise   | Y = Yellow     | YM = Yellow Mango | W = White           | Si = Silver |

T after any color code indicates Transparent (example BT = Blue Transparent)

# DIVE CENTRE GEAR

## DIVE SUPPLY SCHOOL SETS



SCUBAPRO T-ONE BCD



SCUBAPRO MK2EVO/R095 SET



SCUBAPRO R095 OCTOPUS



SCUBAPRO PRESSURE GAUGE



SCUBAPRO U-LINE 2 PG/DG



SUUNTO ZOOP RENTAL

## DEEP BLUE WETSUITS



DEEP BLUE SPORTFLEX PRO SHORTY

DEEP BLUE SPORTFLEX SHORTY

DEEP BLUE SPORTFLEX SHORTY

DEEP BLUE SPORTFLEX PRO STEAMER

## FINS



SCUBAPRO GO RENTAL

SEAC F100

## GEAR BAG



DEEP BLUE GEAR BAG



DEEP BLUE LARGE GEAR BAG

## TANKS & VALVES



DEEP BLUE K

DEEP BLUE PRO



CATALINA S80

## TORCHES



DEEP BLUE TORNADO



DEEP BLUE STORM



TOVATEC COMPACT



DEEP BLUE MESH BAG

## MASKS & SNORKELS



THERMO K

THERMO PRO



DEEP BLUE BORA



DEEP BLUE COVERT



SAEKODIVE RUNNER



DEEP BLUE STINGRAY

DEEP BLUE MARLIN



**COMPLETE SCHOOL SETS w. SCUBAPRO INSTRUMENTS - includes Inflator Hose and Hose Protector**

|                       |  |        |
|-----------------------|--|--------|
| <b>SchoolSet-SP 1</b> | <b>T-One BCD, MK2 Evo/R095/R095 Octopus/Scubapro Metal PG</b>              |        |
|                       | 1+ Complete Sets   | 36,236 |
|                       | 5 + Complete Sets  |        |
|                       | 10 + Complete Sets   |        |
| <b>SchoolSet-SP 2</b> | <b>T-One BCD, MK2 Evo/R095/R095 Octopus /Scubapro U-Line Console PG/DG</b> |        |
|                       | 1+ Complete Sets   | 38,425 |
|                       | 5 + Complete Sets  |        |
|                       | 10 + Complete Sets   |        |

**SCUBAPRO REGULATOR SCHOOL SETS with SCUBAPRO INSTRUMENTS**

|                    |   |        |
|--------------------|---|--------|
| <b>RegSet-SP 1</b> | <b>MK2 Evo/R095/R095 Octopus, Scubapro Metal PG</b>         |        |
|                    | 1+ Complete Sets  | 20,808 |
|                    | 5 + Complete Sets   |        |
|                    | 10 + Complete Sets  |        |
| <b>RegSet-SP 2</b> | <b>MK2 Evo/R095/R095 Octopus, Scubapro U-Line PG/DG Set</b> |        |
|                    | 1+ Complete Sets  | 22,838 |
|                    | 5 + Complete Sets   |        |
|                    | 10 + Complete Sets  |        |

**SCUBAPRO - SCHOOL BCD**

|                   |  |        |
|-------------------|--|--------|
| <b>X21.723x00</b> | <b>SCUBAPRO T-One BCD (includes FREE GENUINE SCUBAPRO Inflator Hose)</b> |        |
|                   | 1+ Scubapro T-One BCD, sizes 3XS to 2XL                                  | 15,805 |
|                   | 5+ Scubapro T-One BCD, sizes 3XS to 2XL                                  |        |
|                   | 10+ Scubapro T-One BCD, sizes 3XS to 2XL                                 |        |

**SCHOOL Packages:**

- BCD T-One
- 1st Stage MK2 Evo
- 2nd Stage R095 (Primary & Octopus)
- Console 3 options:
  - Deep Blue Metal PG
  - Scubapro Metal PG
  - Scubapro U-Line Console PG/DG



**SUUNTO RENTAL COMPUTERS**

|              |                              |                    |     |
|--------------|------------------------------|--------------------|-----|
| FSS022692000 | Zoop NOVO Wrist RENTAL, Lime | <b>Best Rental</b> | *** |
|--------------|------------------------------|--------------------|-----|

**DEEP BLUE RENTAL WETSUITS**

|          |   |                    |       |
|----------|---|--------------------|-------|
| DBADS01  | Sportflex Pro Shorty 3mm, CR-Foam, Black, sizes 2XS to 3XL          | <b>Best Rental</b> | 2,290 |
| DBADS02  | Sportflex Shorty 3mm, SBR-Foam, Black/Blue, sizes S to XL           | <b>Best Rental</b> | 2,100 |
| DBADS04  | Sportflex Shorty 3mm, SBR-Foam, Black, sizes 2XS to 3XL             | <b>Best Rental</b> | 2,100 |
| DBADS03  | Sportflex Pro Steamer 3mm, CR-Foam, Black, sizes XS to 3XL          | <b>Best Rental</b> | 3,490 |
| DBADS03P | Sportflex Pro Steamer 3mm, CR-Foam, w. Print, Black sizes XS to 3XL |                    | 2,990 |

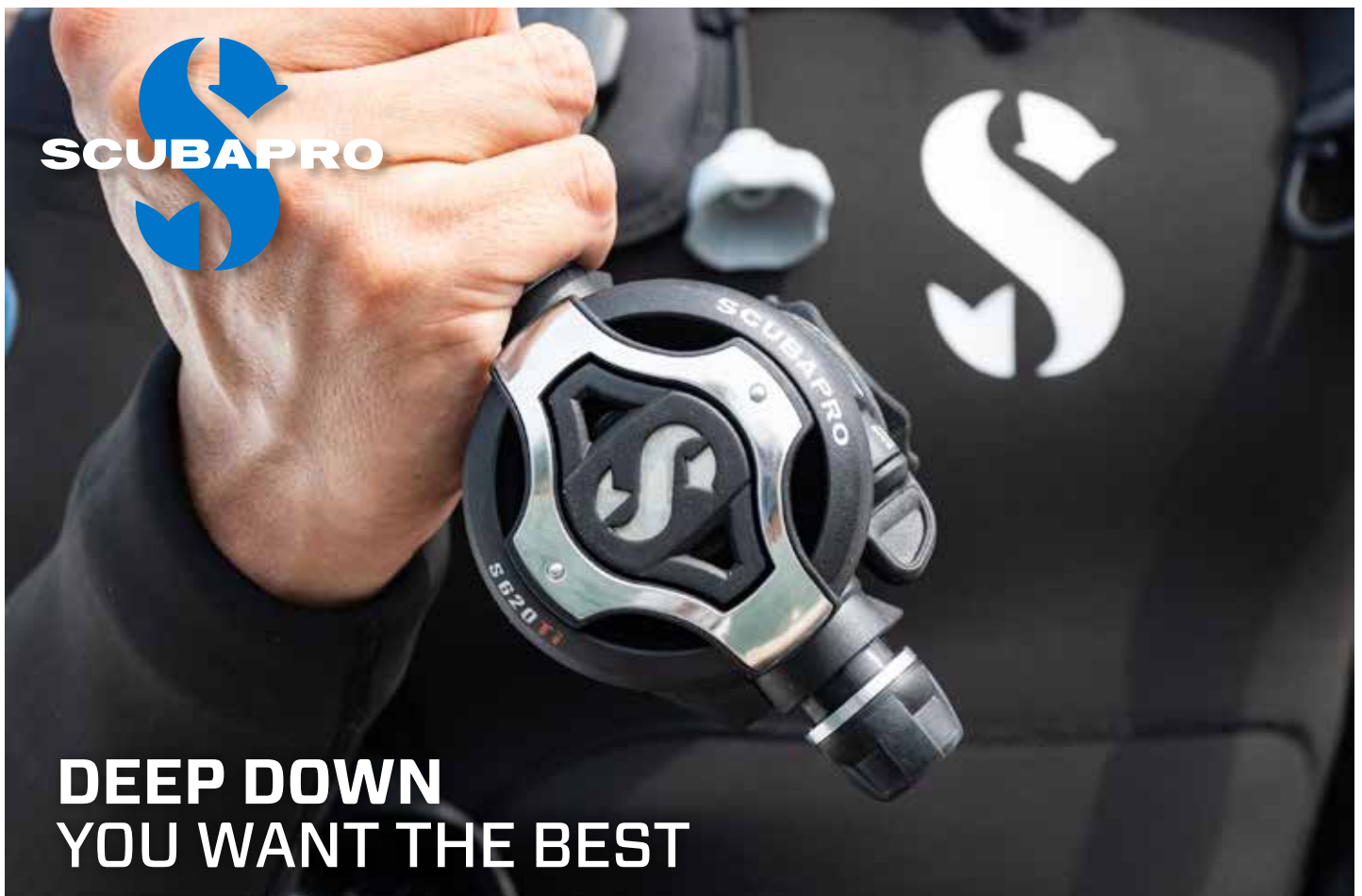
\*Custom printing available\*

**RENTAL MASKS, SNORKELS & FINS**

|             |  |                        |       |
|-------------|--|------------------------|-------|
| DB1MA36+    | Bora Plus Mask, 2 Lens - BT, KK, KY, O, Y                              | <b>Best Rental</b>     | 690   |
| S1083KS     | Runner Mask, fits most faces - BT, C, G, K, Y                          | <b>Optics optional</b> | 990   |
| S1083OP     | Myopia Lens (Near-sighted) -1.0 to -10.0 per piece, Left or Right Side |                        | 885   |
| DBSA105     | Stingray Snorkel, w. purge - BT, C, K, KK, Y                           | <b>Best Rental</b>     | 470   |
| DBSA91      | Marlin Snorkel J-style - BT, C, K, KK, KY, Y                           | <b>Best Rental</b>     | 250   |
| X25.743.x00 | GO Rental Fin, Black, sizes 2XS to 2XL, color coded straps             | <b>Best Rental</b>     | 3,375 |
| B9290       | F-100 PRO full foot Fins, 6 sizes - B, K, Pi, R, Y                     | <b>Best Rental</b>     | 2,590 |

**DEEP BLUE RENTAL GEAR BAGS**

|          |   |                    |       |
|----------|---|--------------------|-------|
| DB8010   | Deep Blue Gearbag, large (60 liter) - Blue, Black         | <b>Best Rental</b> | 935   |
| DB8020   | Deep Blue Gearbag, oversize (90 liter) - Blue, Black, Red | <b>Best Rental</b> | 1,275 |
| DBBL3176 | Deep Blue Mesh Gearbag 63cm - Black                       | <b>Best Rental</b> | 1,140 |



**REGULATOR - SCUBAPRO****REGULATOR SETS - SOLD AS SETS ONLY**

|             |                                    |         |
|-------------|------------------------------------|---------|
| X12.105.000 | MK2 Evo/R105                       | 15,190  |
| X12.105.300 | MK2 Evo DIN/R105                   | 15,190  |
| X12.719.500 | MK19 Evo BT/G260 Carbon BT         | 53,265  |
| X12.719.600 | MK19 Evo BT DIN 300/G260 Carbon BT | 53,265  |
| X12.771.550 | MK25 Evo BT/G260 Carbon BT         | 54,080  |
| X12.771.650 | MK25 Evo BT DIN/G260 Carbon BT     | 54,080  |
| X12.770.700 | MK25 Evo BT/ A700 Carbon BT        | 58,155  |
| X12.620.400 | MK25T Evo/S620X Ti                 | 102,135 |

**REGULATOR SETS (combine any 1st & 2nd Stage)**

|             |                      |                    |        |
|-------------|----------------------|--------------------|--------|
| X12.096.000 | MK2 Evo/R095         | <b>Best Rental</b> | 10,875 |
| X12.127.000 | MK2 Evo/S270         |                    | 17,860 |
| X12.177.000 | MK11/S270            |                    | 22,525 |
| X12.175.000 | MK11/C370            |                    | 23,745 |
| X12.200.000 | MK17 Evo/S270        |                    | 25,175 |
| X12.370.000 | MK17 Evo/C370        |                    | 26,395 |
| X12.255.010 | MK19 Evo/G260        |                    | 34,335 |
| X12.252.010 | MK25 Evo/G260        |                    | 34,945 |
| X12.252.030 | MK25 Evo DIN/G260    |                    | 34,945 |
| X12.971.050 | MK25 Evo/S600        |                    | 36,575 |
| X12.971.070 | MK25 Evo DIN/S600    |                    | 36,575 |
| X12.620.000 | MK25 Evo/S620 Ti     |                    | 41,460 |
| X12.620.300 | MK25 Evo DIN/S620 Ti |                    | 41,460 |
| X12.770.040 | MK25 Evo/A700        |                    | 43,090 |

**First Stages**

|             |              |        |
|-------------|--------------|--------|
| X10.063.000 | MK2 Evo      | 7,105  |
| X10.063.300 | MK2 Evo DIN  | 7,945  |
| X10.708.000 | MK11         | 11,770 |
| X10.708.300 | MK11 DIN     | 11,770 |
| X10.714.010 | MK17 Evo     | 14,420 |
| X10.719.010 | MK19 Evo     | 17,880 |
| X10.719.030 | MK19 Evo DIN | 17,880 |
| X10.713.010 | MK25 Evo     | 18,490 |
| X10.713.030 | MK25 Evo DIN | 18,490 |

**Second Stages**

|             |         |                   |       |
|-------------|---------|-------------------|-------|
| X11.330.600 | R095    | 5,440             |       |
| X11.332.000 | R105    | <b>ETA Jan'24</b> | 7,900 |
| X11.270.000 | S270    | 10,755            |       |
| X11.370.000 | C370    | 11,975            |       |
| X11.263.000 | G260    | 16,455            |       |
| X11.603.000 | S600    | 18,085            |       |
| X11.620.000 | S620 Ti | 22,970            |       |
| X11.700.000 | A700    | 24,600            |       |

**Octopus**

|             |                           |                    |        |
|-------------|---------------------------|--------------------|--------|
| X11.330.400 | R095 Octopus w/39" Hose   | <b>Best Rental</b> | 5,585  |
| X11.332.200 | R105 Octopus w/39" Hose   |                    | 8,310  |
| X11.331.200 | R195 Octopus w/100cm Hose |                    | 9,530  |
| X11.270.200 | S270 Octopus w/100cm Hose |                    | 11,160 |

**Accessories**

|              |  |       |
|--------------|--|-------|
| X10.045.030  | DIN Conversion Kit Universal                                 | 2,180 |
| X10.019.100  | DIN to Yoke Adapter  | 5,905 |
| X41.300.020  | Adjustable Kit MK 25   | 940   |
| X41.300.010  | Adjustable Kit MK 25T / TA                                   | 2,455 |
| X50.080.000  | Scubapro Neoprene Regulator Shield 2nd Stage Cover           | 660   |
| X11.602.036  | Purge Cover S600 - Black                                     | 435   |
| X11.602.03xP | Purge Cover S600 - Red, White                                | 630   |
| X11.602.04xP | Purge Cover S600 - Hydros Blue, Orange, Pink, Purple, Yellow | 630   |
| X01.097.134  | Octopus retainer "Scubapro" (Mouthpiece plug), Yellow        | 450   |

**BCD - SCUBAPRO**

|              |   |                    |        |
|--------------|---|--------------------|--------|
| X21.723.x00  | Scubapro T-One BCD, sizes 2XS to 2XL, incl. FREE Scubapro Inflator Hose | <b>Best Rental</b> | 15,805 |
| X21.621.x00  | BCD - Level, weight integrated, sizes XS to XL                          |                    | 25,765 |
| X22.142.x10  | BCD - Seahawk 2, sizes 2XS to XL  |                    | 26,655 |
| X22.285.x20  | BCD - Glide, sizes XS, S and L only, Black/Grey                         | <b>Reduced</b>     | 24,500 |
| X22.286.x20  | BCD - Glide, sizes XS - XL, Black/Blue                                  | <b>NEW</b>         | 27,985 |
| X21.730.x00  | BCD - Hydros Pro Men, sizes S to 2XL - Black                            |                    | 40,760 |
| X21.736.x00  | BCD - Hydros Pro Women, sizes XS to L - White                           |                    | 40,760 |
| X21.900.x00  | BCD - Hydros X Men, size L  |                    | 41,525 |
| X21.901.x00  | BCD - Hydros X Women, sizes XS to L                                     |                    | 41,525 |
| X21.722.x00  | BCD - X Black, sizes XS to 2XL  | <b>NEW</b>         | 43,065 |
| X21.224.010  | Kids BCD - Rebel V2   |                    | 20,640 |
| X21.090.000  | Air 2 Black, 5th generation   |                    | 9,915  |
| X21.090.000U | Air 2 Black, 5th generation, upgrade on BCD                             |                    | 5,435  |
| X21.610.000  | Scubapro Power Inflator   |                    | 5,475  |
| X21.600.100  | Scubapro Power Inflator (old version)                                   |                    | 4,585  |

**BCD Accessories**

|             |  |  |       |
|-------------|--|--|-------|
| X21.745.xx0 | Color Kit - Hydros Pro, Blue, A. Green, Orange, Pink, Purple, Turquoise, White, Yellow |  | 2,135 |
| X21.745.100 | Color Kit - Hydros Pro, Black  |  | 1,390 |
| X21.746.001 | Knife & Accessory Plate  |  | 850   |
| X21.746.002 | Mini D-Ring Set  |  | 850   |
| X21.746.400 | Accessory Bungee Set - M   |  | 755   |
| X21.746.500 | Accessory Bungee Set - L   |  | 755   |
| X21.746.005 | Hydros Ninja Pocket  |  | 1,995 |
| X21.746.006 | Hydros Cargo Thigh Pocket  |  | 2,135 |
| X21.788.300 | Hydros Trav. Tek Strap, - M  |  | 2,590 |
| X23.107.030 | Weight Pocket Hydros (Pair)  |  | 3,260 |
| X23.107.010 | Weight Pocket X-Series (Pair)  |  | 3,260 |
| X23.702.000 | Weight Pocket Glide Pro, Classic, Nighthawk (S-M)                                      |  | 1,630 |
| X23.704.000 | Weight Pouch Glide BCD   |  | 1,630 |

**SIDEMOUNT**

|             |                                  |                |        |
|-------------|----------------------------------|----------------|--------|
| X12.252.060 | Sidemount Regulator Kit          |                | 72,335 |
| X21.726.001 | Sidemount Harness Backpad System | <b>Reduced</b> | 10,790 |
| X21.726.200 | Sidemount Wing 12L               | <b>Reduced</b> | 9,890  |
| X21.726.117 | Sidemount Wing cover             | <b>Reduced</b> | 1,490  |
| X21.726.008 | Weight Strap                     | <b>Reduced</b> | 355    |

**SCUBAPRO X-TEK**

|             |                                       |                |       |
|-------------|---------------------------------------|----------------|-------|
| X23.808.000 | X-Tek Access - Backplate storage pack | <b>Reduced</b> | 2,290 |
| X23.809.000 | X-Tek Access - Shoulder Pads - Pair   | <b>Reduced</b> | 790   |



**NEW SCUBAPRO S-TEK****PURE HARNESS SETS**

|             |   |        |
|-------------|---|--------|
| X22.248.030 | S-TEK Donut Wing 30 w. S-TEK PURE Harness, SS backplate & Single Tank Adapter | 37,775 |
| X22.248.040 | S-TEK Donut Wing 40 w. S-TEK PURE Harness, SS backplate (No.S.T.A)            | 33,115 |
| X22.248.060 | S-TEK Donut Wing 60 w. S-TEK PURE Harness, SS backplate (No S.T.A)            | 33,560 |

**PURE PLUS HARNESS SETS**

|             |  |        |
|-------------|--|--------|
| X22.241.095 | S-TEK Donut Wing 30 w. S-TEK PURE PLUS Harness, SS backplate & Single Tank Adapter | 43,315 |
|-------------|--|--------|

**PRO HARNESS SETS**

|             |  |        |
|-------------|--|--------|
| X22.249.030 | S-TEK Donut Wing 30 w. S-TEK PRO Harness, SS backplate & Single Tank Adapter | 41,665 |
| X22.249.040 | S-TEK Donut Wing 40 w. S-TEK PRO Harness, SS backplate (No S.T.A)            | 37,005 |
| X22.249.060 | S-TEK Donut Wing 60 w. S-TEK PRO Harness, SS backplate (No S.T.A)            | 37,450 |

**HARNESS**

|             |  |        |
|-------------|--|--------|
| X22.241.001 | S-TEK PURE Harness - SS Backplate, crotch strap, continuous webbing      | 14,565 |
| X22.241.002 | S-TEK PURE Harness - ALU Backplate, crotch strap, continuous webbing     | 14,565 |
| X22.241.090 | S-TEK PURE Plus Harness - SS Backplate, crotch strap, adjustable webbing | 19,885 |
| X22.242.001 | S-TEK PRO Harness - SS Backplate, crotch strap, adjustable webbing       | 19,175 |
| X22.242.002 | S-TEK PRO Harness - ALU Backplate, crotch strap, adjustable webbing      | 19,175 |

**WINGS**

|             |                           |        |
|-------------|---------------------------|--------|
| X22.240.030 | S-TEK Donut Wing 30, 13kg | 20,250 |
| X22.240.040 | S-TEK Donut Wing 40, 18kg | 22,025 |
| X22.240.060 | S-TEK Donut Wing 60, 27kg | 22,465 |

**BACK PLATES**

|             |                                   |        |
|-------------|-----------------------------------|--------|
| X22.246.102 | S-Tek Backplate - Aluminium       | 10,205 |
| X24.246.101 | S-Tek Backplate - Stainless Steel | 10,205 |

**ACCESSORIES**

|             |   |        |
|-------------|---|--------|
| X21.615.000 | S-Tek K-Style balanced Inflator                       | 4,140  |
| X23.607.000 | S-TEK Single Tank Adapter (S.T.A)                     | 7,230  |
| X23.601.000 | S-Tek Weight System Fluid-Form                        | 7,015  |
| X23.609.000 | S-TEK Trim Weight Pocket Kit                          | 2,280  |
| X23.614.000 | S-TEK Expedition Thigh Pocket                         | 2,630  |
| X22.245.103 | S-TEK Crotch Strap                                    | 2,060  |
| X01.012.000 | S-TEK Bungee Necklace                                 | 465    |
| X40.202.050 | S-TEK Spinner Sool 50ft / 15m                         | 3,210  |
| X40.202.100 | S-TEK Spinner Spool 100ft / 30m                       | 3,500  |
| X40.202.150 | S-TEK Spinner Spool 150ft / 45m                       | 3,790  |
| X40.203.00x | S-TEK Spool Color Kit, W, Y, B, Tu, ArG, O, Pi        | 715    |
| X40.201.330 | S-TEK Expedition Reel 330ft / 100m                    | 13,150 |
| X40.201.660 | S-TEK Expedition Reel 660ft / 200m                    | 15,015 |
| X40.204.001 | S-TEK Cookie Monster (10 pack incl. Bungee/bolt snap) | 1,665  |
| X40.204.002 | S-TEK Arrow Monster (10 pack incl. Bungee/bolt snap)  | 1,665  |
| X01.130.000 | Trigger Snap, 1/2" / 13mm                             | 755    |
| X01.131.010 | Bolt Snap, XS, 3/8" / 10mm                            | 755    |
| X01.131.014 | Bolt Snap, S, 1/2" / 14mm                             | 755    |
| X01.131.025 | Bolt Snap, L, 1" / 25mm                               | 755    |
| X01.132.105 | Bolt Snap, DBL, M, 4"/105mm                           | 800    |
| X01.132.125 | Bolt Snap, DBL, L, 5"/125mm                           | 800    |
| X01.133.025 | Bolt Snap, Flateye, 1" / 25mm                         | 800    |
| X01.134.036 | Bolt Snap, Bigeye, 1.4" / 36mm                        | 800    |
| X01.080.190 | D-Ring - Stainless, 5x50mm, Pre-Bent                  | 410    |
| X01.080.191 | D-Ring - Stainless, 5x50mm, Straight                  | 410    |
| X01.082.050 | Tri-Glide Stainless - 50mm                            | 410    |
| X01.087.050 | Quad-Glide Stainless - 50mm                           | 410    |
| X23.612.040 | S-Tek Stage Kit LOW PROFILE 40                        | 3,205  |
| X23.612.080 | S-Tek Stage Kit LOW PROFILE 80                        | 3,205  |
| X23.613.040 | S-Tek Stage Kit COLD WATER 40                         | 3,205  |
| X23.613.080 | S-Tek Stage Kit COLD WATER 80                         | 3,205  |

**NEW SCUBAPRO S-TEK (Continued)****ACCESSORIES**

|             |   |       |
|-------------|---|-------|
| X23.620.125 | Band Stage Kit 125mm set  | 1,300 |
| X23.620.180 | Band Stage Kit 180mm set  | 1,520 |
| X23.611.00x | S-Tek Back Pad Kit - K,W, Y, B, Tu, ArG, O, Pi                        | 2,320 |
| X23.616.00x | S-Tek Harness - Shoulder & Waist Pad Kit - K, W, Y, B, Tu, ArG, O, Pi | 2,320 |

**INSTRUMENTS - SCUBAPRO**

|             |  |                    |        |
|-------------|--|--------------------|--------|
| X05.023.112 | U-Line PG Compact, metal, complete w. Hose & Boot, Metric      | <b>Best Rental</b> | 5,040  |
| X05.012.210 | U-Line Console 2 -DG/PG, U-Line, Metric                        | <b>Best Rental</b> | 7,395  |
| X05.023.210 | Console 2 -PG/DG Metal, "Fishball", Metric                     |                    | 10,265 |
| X05.011.753 | Console 3 Slim - PG/DG, FS-2 Compass, Metric                   |                    | 14,700 |
| X05.014.110 | Pressure Gauge Digital 330, w wrist mount, Metric              |                    | 10,175 |
| X05.022.012 | Capsule Pressure Gauge for Compact, metal - Metric             |                    | 3,725  |
| X05.012.012 | Capsule Pressure Gauge for U-Line - Metric                     |                    | 3,560  |
| X28.039.302 | Capsule Pressure Gauge for Compact (orig.) - Metric            |                    | 3,725  |
| X05.014.010 | Capsule for Pressure Gauge Digital 330 - Metric                |                    | 9,370  |
| X28.152.002 | Capsule for Pressure Gauge, Black Dial, dia. 52mm - Metric     |                    | 3,440  |
| X28.152.202 | Capsule for Pressure Gauge, White Dial, dia. 52mm - Metric     |                    | 3,440  |
| X28.163.002 | Capsule for Pressure Gauge, Black Dial, dia. 63mm - Metric     |                    | 3,440  |
| X28.163.202 | Capsule for Pressure Gauge, White Dial, dia. 63mm - Metric     |                    | 3,440  |
| X28.860.005 | Capsule Depth Gauge for Compact (orig.), Non-magnetic - Metric |                    | 4,330  |
| X05.012.011 | Capsule Depth Gauge for U-Line - Metric                        |                    | 4,205  |
| X06.203.621 | Housing for U-Line PG, empty                                   |                    | 1,090  |
| X06.204.370 | Housing for Compact metal PG, empty                            |                    | 1,090  |
| X06.204.348 | Housing for Mako Pressure Gauge, empty                         |                    | 1,310  |
| X06.203.622 | Housing for Console 2 U-Line (UPG + UDG), empty                |                    | 1,310  |
| X06.204.400 | Housing for Console 2 (CompactPG + UDG), empty                 |                    | 1,220  |
| X28.039.021 | Housing for Compact Pressure Gauge, empty                      |                    | 470    |
| X28.042.101 | Housing for Compact Console 2, empty                           |                    | 1,090  |
| X05.017.111 | Compass North FS-2 w retractor mount                           |                    | 4,530  |
| X05.017.121 | Compass North FS-2 w retractor mount & retractor               |                    | 6,545  |
| X05.017.001 | Capsule for Compass North FS-2 - Analogue                      |                    | 4,125  |

**INSTRUMENTS - SEAC / SAEKODIVE**

|         |                            |       |
|---------|----------------------------|-------|
| SAP0018 | Miniature SPG (Pony Gauge) | 1,390 |
|---------|----------------------------|-------|

**INSTRUMENTS - DEEP BLUE**

|             |  |            |       |
|-------------|--|------------|-------|
| DBT30025    | DB Console Mini 2K - PG, Compass, Metric                             | <b>NEW</b> | 4,700 |
| DBT30026    | DB Console Mini 2K - DG, PG, Metric                                  |            | 4,990 |
| DBT30027    | DB Console Mini 2K - DG, PG, Compass, Metric                         | <b>NEW</b> | 6,750 |
| DBT30030    | DB Console Slimline - DG, PG, Metric                                 |            | 4,990 |
| DBT30038-K  | SPG Mini 2K complete w. Hose & Boot, 52mm/2", brass body             |            | 2,990 |
| DBT30038-KK | SPG Mini 2K black dial, complete w. Hose & Boot, 52mm/2", brass body |            | 3,150 |
| DBT30038-W  | SPG Mini 2K complete w. Hose & White Boot, 52mm/2", brass body       |            | 3,150 |
| DBT30050/02 | SPG Mini 2K Side Mount w. 200 mm Hose                                |            | 2,990 |
| DBT30012    | Pressure Gauge Capsule for Mini 2K - 48mm dia.                       |            | 1,995 |
| DBT30039NS  | Pressure Gauge Capsule for Slimline - 52mm dia.                      |            | 2,100 |
| DBT30007    | Depth Gauge Capsule for Mini 2K                                      |            | 2,155 |
| DBT30040C   | Depth Gauge Capsule for Slimline                                     |            | 2,350 |
| DBT30026E   | Housing for Console Mini 2K - empty                                  |            | 650   |
| DBT30038E   | Housing for SPG Mini 2K - empty                                      |            | 590   |
| DBT30030E   | Housing for Console Slimline - empty                                 |            | 650   |

**INSTRUMENTS - DEEP BLUE (Continued)**

|              |   |            |       |
|--------------|---|------------|-------|
| DBT30008     | Deep Blue Standard Wrist Compass, 60mm dia.               |            | 1,900 |
| DBT30002     | Deep Blue Pro Wrist Compass, 56mm dia.                    |            | 1,900 |
| DBT30011     | Capsule only, Deep Blue 2K Compass, 52mm dia.             | <b>NEW</b> | 1,590 |
| DBT30009     | Capsule only, Deep Blue Standard Wrist Compass, 60mm dia. |            | 1,590 |
| DBT30001     | Capsule only, Deep Blue Pro Wrist Compass, 56mm dia.      |            | 1,590 |
| DBT30044-PRO | Wrist Strap & Housing for Deep Blue Pro Compass           |            | 490   |
| DBT30042-STD | Wrist Strap & Housing for Deep Blue Standard Compass      |            | 490   |

**PRESSURE & DEPTH GAUGES - SUUNTO**

|              |                                     |  |       |
|--------------|-------------------------------------|--|-------|
| FSS005240200 | CB-One SM-36 Pressure Gauge 300 Bar |  | 5,390 |
| FSS005249220 | CB-Two in Line/300/70 Combo         |  | 8,355 |
| FSS05040M010 | SM-16/45 Depth Module / round       |  | 3,815 |
| FSS05040M020 | SM-16/70 Depth Module / round       |  | 3,815 |
| FSS05108M200 | SM-36/300 Pressure Module           |  | 3,440 |

**COMPASS - SUUNTO**

|              |   |  |       |
|--------------|---|--|-------|
| FSS004102011 | Clipper Compass NH                                    |  | 790   |
| FSS020981000 | SK-8 Wrist Compass, NH                                |  | 2,945 |
| FSS020982000 | SK-8 Wrist Compass, SH                                |  | 2,945 |
| FSS021122000 | SK-8 Compass, Front mount on Standard Console, NH     |  | 2,945 |
| FSS021160000 | SK-8 Compass, Front mount on Standard Console, SH     |  | 2,945 |
| FSS021123000 | SK-8 Compass, Back mount for Double Sided Console, NH |  | 2,945 |
| FSS021161000 | SK-8 Compass, Back mount for Double Sided Console, SH |  | 2,945 |
| FSS021118000 | SK-8 Compass, Bungee Mount, NH                        |  | 2,945 |
| FSS021119000 | SK-8 Compass, Bungee Mount, SH                        |  | 2,945 |
| F100021465   | SK-8 Capsule NH                                       |  | 1,405 |
| F100021466   | SK-8 Capsule SH                                       |  | 1,405 |

**WRISTOP COMPUTER - SUUNTO**

|              |   |  |        |
|--------------|---|--|--------|
| FSS050181000 | D5 - White with USB                                       |  | 19,990 |
| FSS050190000 | D5 - Black with USB                                       |  | 19,990 |
| FSS050191000 | D5 - Black Lime with USB                                  |  | 19,990 |
| FSS050192000 | D5 - All Black with USB                                   |  | 19,990 |
| FSS050569000 | D5 - Copper with USB                                      |  | 19,990 |
| FSS050277000 | D4i Black Silicone without USB cable                      |  | 15,500 |
| FSS050279000 | D4i Lime Silicone without USB cable                       |  | 15,500 |
| FSS050278000 | D4i White Silicone without USB cable                      |  | 15,500 |
| FSS020306000 | Tank POD Transmitter for D5, Eon Core & Eon Steel         |  | 12,690 |
| FSS019098000 | Wireless Transmitter for Di Series, Vyper Novo, Zoop Novo |  | 10,875 |
| FSS021027000 | EON Steel Scratch Guard (1 Piece)                         |  | 555    |
| FSS022769000 | EON Core Scratch Guard (1 Piece)                          |  | 555    |
| FSS050199000 | D5 Scratch Guard (2 Pieces)                               |  | 555    |
| FSS013587000 | D4i Scratch Guard (2 Pieces) - hard type                  |  | 555    |
| F100013462   | D Series Scratch Guard (1 Piece)                          |  | 140    |

**CONSOLES WITH COMPUTER - SUUNTO**

|              |                              |  |        |
|--------------|------------------------------|--|--------|
| FSS022217000 | CB-2 INL/300/Zoop NOVO Lime  |  | 13,910 |
| FSS022218000 | CB-2 INL/300/Zoop NOVO Black |  | 13,910 |
| FSS005502000 | Quick Release, complete      |  | 3,265  |

**OTHER DIVE COMPUTERS - SUUNTO**

|              |                              |                    |       |
|--------------|------------------------------|--------------------|-------|
| FSS022692000 | Zoop NOVO Wrist RENTAL, Lime | <b>Best Rental</b> | ***   |
| FSS021643000 | Zoop NOVO Wrist, Lime        |                    | 9,990 |
| FSS021644000 | Zoop NOVO Wrist, Blue        |                    | 9,990 |
| FSS021645000 | Zoop NOVO Wrist, Black       |                    | 9,990 |



**OTHER DIVE COMPUTERS - SUUNTO**

|              |                              |        |
|--------------|------------------------------|--------|
| FSS050434000 | Vyper NOVO GRAPHITE w/o USB  | 12,500 |
| FSS050433000 | Vyper NOVO WHITE w/o USB     | 12,500 |
| FSS022740000 | EON CORE BLACK               | 26,750 |
| FSS023081000 | EON CORE WHITE               | 26,750 |
| FSS023082000 | EON CORE LIME                | 26,750 |
| FSS050558000 | EON Steel Black w.Boot & USB | 39,500 |

**DIVE MANAGER / PC-INTERFACE**

|              |   |       |
|--------------|---|-------|
| FSS018214000 | D, Di & Novo-series USB Interface           | 3,120 |
| FSS011350000 | Dive Manager-USB for HelO2/Cobra/Vyper/Zoop | 2,685 |
| FSS020307000 | USB Interface Cable EON Steel               | 1,185 |
| FSS022993000 | Magnetic Black USB Cable - Eon Core & D5    | 1,650 |
| FSS023087000 | Magnetic White USB Cable - Eon Core & D5    | 1,650 |

**DIVE COMPUTERS - SCUBAPRO**

|             |   |        |
|-------------|---|--------|
| X05.045.110 | Aladin One Matrix Wrist                               | 15,550 |
| X05.045.230 | Aladin One Matrix + PG, Console 2                     | 19,510 |
| X05.045.010 | Aladin One Matrix Capsule                             | 14,765 |
| X05.046.110 | Aladin Sport Matrix, LCD, Bluetooth & Digital Compass | 18,905 |
| X05.064.101 | Aladin A1   | 23,745 |
| X05.064.201 | Aladin A2   | 34,250 |
| X05.200.100 | Luna 2  | 24,665 |
| X05.200.101 | Luna 2 w Air Integration (No Transmitter)             | 29,735 |
| X05.080.101 | Galileo 2 w/o Transmitter                             | 45,870 |
| X05.080.202 | Galileo 2 w Transmitter+ Pro                          | 60,615 |
| X05.103.101 | Galileo 3 w/o Transmitter                             | 55,455 |
| X05.110.901 | Galileo HUD no Transmitter                            | 51,405 |
| X05.110.905 | Galileo HUD w Transmitter Smart+Pro                   | 65,200 |

**ACCESSORIES**

|             |   |        |
|-------------|---|--------|
| X05.055.040 | Transmitter LED Smart+ PRO                  | 18,500 |
| X05.060.020 | HRM Belt 2                                  | 6,620  |
| X06.205.315 | USB Cable, G2                               | 2,295  |
| X05.060.011 | Mantis1/Meridian Rubber Strap w. pin, Black | 1,050  |
| X05.061.002 | Chromis Wrist Strap - Black                 | 1,050  |
| X06.203.027 | Galileo Wrist Strap , 2-part                | 1,450  |
| X06.205.261 | Protection Film - G2                        | 525    |
| X06.202.514 | Protection Shield - Galileo                 | 1,075  |
| X06.202.362 | Protection cover soft 3M - Aladins          | 295    |
| X06.202.927 | Protection Shield - Aladins                 | 800    |

**FULL FACE MASK with SNORKEL**

|             |  |     |
|-------------|--|-----|
| DBFfaceS-B  | Deep Blue Full Face Snorkeling Mask, S, Blue | 890 |
| DBFfaceS-Pi | Deep Blue Full Face Snorkeling Mask, S, Pink | 890 |
| DBFfaceL-B  | Deep Blue Full Face Snorkeling Mask, L, Blue | 890 |
| DBFfaceL-Pi | Deep Blue Full Face Snorkeling Mask, L, Pink | 890 |

**MASKS - DEEP BLUE**

|           |  |                    |     |
|-----------|--|--------------------|-----|
| DB1MA36+  | No Mask Boxes included<br>Bora Plus Mask, 2 Lens - BT, KK, KO, KY, Y | <b>Best Rental</b> | 690 |
| DB3MD05P  | Hawaii Mask - BT, Y  | <b>Promotion</b>   | 275 |
| DBMC23-BT | Mako Mask, clear skirt - BT  |                    | 870 |
| DBMC23-KK | Mako Mako, black skirt - KK  |                    | 870 |
| DBMG01-KY | Accent Mask, black skirt - Yellow                                    |                    | 870 |
| DBMA69-KK | Bali Mask, frameless, Black Skirt - K                                |                    | 870 |
| DBM282    | Xtreme Mask - KS/Y, KS/W, Clear/B, Clear/Pi                          |                    | 870 |

**MASKS - DEEP BLUE**

|                  |  |             |       |
|------------------|--|-------------|-------|
| DBME60           | Maui Mask, frameless, Skirt Black/Blue/Pink/White/Yellow       |             | 870   |
| DBMC24-KK        | Covert Mask, 2 lens, low volume - Black Skirt - Black          | Free Diving | 1,200 |
| DBMC24-KB/KPi/KW | Covert Mask, 2 lens, low volume - Black Skirt - inserts B/Pi/W | Free Diving | 1,200 |
| DBMC24-CA        | Covert Mask, 2 lens, low volume - Black Skirt - CAMO           | Free Diving | 1,200 |
| DBMC24-WW        | Covert Mask, 2 lens, low volume - White Skirt - White          | Free Diving | 1,200 |
| DBMD56-KK        | Vyper Mask, Frameless - KK                                     |             | 1,250 |
| DBMD89-B         | Orca Mask, Elastic strap - Blue                                |             | 1,350 |
| DBMD89-Pi        | Orca Mask, Elastic strap - Pink                                |             | 1,350 |
| DBMD89-KY        | Orca Mask, Elastic strap - Black skirt -Y                      |             | 1,350 |

**Junior Masks**

|          |   |         |     |
|----------|---|---------|-----|
| DB4MB52P | Fiji Fun Mask Junior - BT, GT, PiT, Y                   | Reduced | 290 |
| DB8MB52  | Fiji Mask, Silicone, Single Lens, for Kids - BT, PiT, Y |         | 825 |
| DBMcoral | Coral Mask, Single Lens, for Kids - Multi-colour        |         | 790 |
| DBS1     | *** When Mask Box is included Add ***                   |         | 90  |

**SNORKELS - DEEP BLUE**

|            |  |             |     |
|------------|--|-------------|-----|
| DB1SA106   | Manta Plus Snorkel, w. purge - BT, KK, KO, KY, Y         | Best Rental | 440 |
| DBSA105-KK | Stingray Snorkel, w. purge - Black w. Black Mouthpiece   | Best Rental | 470 |
| DBSA105    | Stingray Snorkel, w. purge - BT, C, K, Y                 | Best Rental | 470 |
| DBSA91-KSK | Marlin Snorkel (Black Silicone & Black Tube), J-Style    | Best Rental | 250 |
| DBSA91-KSY | Marlin Snorkel (Black Mouthpiece & Yellow Tube), J-Style | Best Rental | 250 |
| DBSA91     | Marlin Snorkel (Clear Mouthpiece) J-style - BT, C, K, Y  |             | 250 |
| DB3SB35    | Mako Snorkel PVC, w. Purge Valve - BT, KK, Y             |             | 210 |
| DBSE90     | Stealth Purge Snorkel, Blue, Black, Red, Yellow          | NEW         | 450 |
| DBSD95     | Bali Snorkel, w. purge - Diva Pink, Orange               | Promotion   | 290 |
| DBSE13-KK  | Covert Snorkel, Black Mouthpiece, Black                  |             | 450 |
| DBSE29-CA  | Covert Snorkel, CAMO                                     |             | 450 |
| DBSE13-WW  | Covert Snorkel, White Mouthpiece, White                  |             | 450 |
| DBSB47     | Sharky Snorkel - BT, C, K, Y                             |             | 470 |
| DBSN134    | Xtreme Snorkel, w. purge - KS/Y, KS/W, Clear/B, Clear/Pi |             | 525 |
| DBSE42     | Orca Snorkel - Blue, Pink                                |             | 590 |
| DBSE42-KY  | Orca Snorkel - Black silicone/Yellow                     |             | 590 |

**Junior Snorkels**

|          |  |         |     |
|----------|--|---------|-----|
| DBSB36   | Goby Snorkel Junior - BT, GT, Pi, Y                | Reduced | 150 |
| DB8SA102 | Damsel Snorkel Junior, w. Purge Valve - BT, PiT, Y |         | 340 |
| DBScoral | Coral Snorkel, w. Purge, Semi-dry - Multicolor     |         | 490 |

**MASK & SNORKEL SETS - DEEP BLUE**

|         |   |           |       |
|---------|---|-----------|-------|
| DB2Bag  | Bora Plus Mask & Manta Plus Snorkel Mesh Bag Set - BT, K, KY, O, Y  |           | 1,250 |
| DB2Clam | Bora Plus Mask & Manta Plus Snorkel Clamshell Set - BT, K, KY, O, Y |           | 1,250 |
| DB3Bag  | Hawaii Mask & Mako Snorkel PVC Mesh Bag Set - BT, YT                | Promotion | 625   |
| DBMakoB | Mako Mask & Snorkel Mesh Bag Set - BT & KK                          |           | 1,200 |
| DBMakoC | Mako Mask & Snorkel Clamshell Set - BT & KK                         |           | 1,200 |
| DBXtrB- | Xtreme Mask & Snorkel Mesh Bag Set - KS/Y, KS/W, Clear/B, Clear/Pi  |           | 1,515 |
| DBXtrC- | Xtreme Mask & Snorkel Clamshell Set - KS/Y, KS/W, Clear/B, Clear/Pi |           | 1,515 |
| DBCvtB- | Covert Mask & Snorkel Mesh Bag Set - CA, KB, KK, KPi, KW, WW        |           | 1,770 |
| DBCvtC- | Covert Mask & Snorkel Clamshell Set - CA, KB, KK, KPi, KW, WW       |           | 1,770 |
| DBOrCB- | Orca Mask & Snorkel Mesh Bag Set - KS/Y, Clear/B, Clear/Pi          |           | 2,060 |
| DBOrCC- | Orca Mask & Snorkel Clamshell Set - KS/Y, Clear/B, Clear/Pi         |           | 2,060 |

**Junior Sets**

|          |  |         |       |
|----------|--|---------|-------|
| DB4Bag   | Fiji Fun Mask & Goby Snorkel Junior Mesh Bag Set - BT, PiT, YT | Reduced | 450   |
| DB8Bag   | Fiji Mask & Damsel Snorkel Junior Mesh Bag Set - BT, PiT, Y    |         | 1,150 |
| DB8Clam  | Fiji Mask & Damsel Snorkel Junior Clamshell Set - BT, PiT, Y   |         | 1,150 |
| DBCoralB | Coral Mask & Snorkel Junior Mesh Bag Set - Multicolor          |         | 1,340 |
| DBCoralC | Coral Mask & Snorkel Junior Clamshell Set - Multicolor         |         | 1,340 |
| DBS1     | *** When Mask Box is included Add ***                          |         | 90    |

**MASKS - SAEKODIVE**

|            |  |                        |       |
|------------|--|------------------------|-------|
| S1083S     | No Mask Boxes included<br>Runner Mask, fits most faces - BT, C, K, Y | <b>Best Rental</b>     | 990   |
| S1083KS    | Runner Mask, fits most faces, Black Silicone - K, B, G, Y            | <b>Optics optional</b> | 990   |
| SMS102     | Runner Junior Mask - BT, G, Y  |                        | 900   |
| SMS102KS-K | Runner Junior Mask - Black Silicone - K                              | <b>NEW</b>             | 940   |
| SM205KS-K  | Stealth Freediving Mask, curved polycarbonate lenses                 | <b>Free Diving</b>     | 1,255 |
| SMM107KS   | Frameless Mask, Black Silicone                                       |                        | 1,150 |
| SMM108KS-K | Wide Vision Mask, Large - Black Silicone - K                         |                        | 1,485 |
| DBS1       | *** When Mask Box is included Add ***                                |                        | 90    |

**OPTICAL LENSES**

|           |   |            |       |
|-----------|---|------------|-------|
| S1083OP   | Myopia Lens (Near-sighted) -1.0 to -10.0 per piece, Left or Right Side                              |            | 885   |
| S1083OP2  | Hyperopia Lens (Far-sighted) +1.0 to +4.0 per piece, Left or Right Side                             | <b>NEW</b> | 965   |
| S1083OP3L | Reading Lens Presbyopia (Upper 0/Lower +), 0/+1.5 to 0/+3.0 per piece, Left Side                    | <b>NEW</b> | 910   |
| S1083OP3R | Reading Lens Presbyopia (Upper 0/Lower +), 0/+1.5 to 0/+3.0 per piece, Right Side                   | <b>NEW</b> | 910   |
| S1083OP6L | Bi-focal Myopia/Presbyopia Lens (Upper -/Lower +), -2/+1.0 to -3/+1.0 per piece, Left or Right Side |            | 1,105 |
| TFM93     | Stickon-Optx, flexible lens kit, per set, sizes +1.5 to +3.0  | <b>NEW</b> | 1,785 |
| TFM98     | Dive-Optx, flexible lens kit, per set, sizes +1.0, +1.5, +3.0                                       |            | 1,935 |

**SNORKEL - SAEKODIVE**

|       |   |  |     |
|-------|---|--|-----|
| S1052 | Snorkel with Rubber Mouthpiece, standard - K, Y |  | 295 |
|-------|---|--|-----|

**SWIMMING ARTICLES - SAEKODIVE**

|          |   |  |       |
|----------|---|--|-------|
| SS5      | Swim Goggles for Children, Silicone - B, K, Y |  | 385   |
| S1281AS- | Swim Goggles for Adults, Antifog, B, BL, K    |  | 675   |
| SK5UV    | Swim Goggle Mariner UV protection - B, K      |  | 1,165 |
| SN2      | Nose Clip                                     |  | 130   |
| SE4      | Ear Plug Silicone / Pair                      |  | 130   |

**MASKS - SEAC**

|      |                     |                  |     |
|------|---------------------|------------------|-----|
| B939 | Extreme Mask - B, Y | <b>Promotion</b> | 990 |
|------|---------------------|------------------|-----|

**SWIMMING ARTICLES - SEAC**

|       |                                       |  |     |
|-------|---------------------------------------|--|-----|
| B9908 | Vision HD Swimming Goggles, Blue, Red |  | 890 |
|-------|---------------------------------------|--|-----|

**MASKS - SCUBAPRO**

|             |   |                    |       |
|-------------|---|--------------------|-------|
| X24.156.100 | Trinidad 3 Mask, Frameless, Black Silicone - K              |                    | 1,810 |
| X24.849.110 | Solo Mask, Black Skirt, Black                               |                    | 2,645 |
| X24.350.110 | Frameless Mask, Black Skirt, Black                          |                    | 3,280 |
| X24.108.100 | Apnea Steel Com Double Lens Mask, Black                     | <b>Free Diving</b> | 2,595 |
| X24.108.600 | Apnea Steel Com Double Lens Mask, White                     | <b>Free Diving</b> | 2,595 |
| X24.109.100 | Apnea Steel Pro, Single Lens Mask, Black                    | <b>NEW</b>         | 2,595 |
| X24.855.110 | Crystal Vu Mask, Metallic, Black skirt - Black/Silver frame |                    | 3,425 |
| X24.855.810 | Crystal Vu Mask, Metallic, Black skirt - Black/Orange frame |                    | 3,425 |
| X24.855.200 | Crystal Vu Mask, Metallic, Clear skirt - Met. Blue          |                    | 3,425 |
| X24.855.300 | Crystal Vu Mask, Metallic, Clear skirt - Met. Red           |                    | 3,425 |
| X24.855.500 | Crystal Vu Mask, Metallic, Clear skirt - Met. Yellow        |                    | 3,425 |
| X24.855.700 | Crystal Vu Mask, Metallic, Clear skirt - White              |                    | 3,425 |
| X24.847.130 | Spectra Mask, Black Skirt, Silver Subf, - K                 |                    | 2,545 |
| X24.847.100 | Spectra Mask, Black Skirt, Full Black                       |                    | 2,545 |
| X24.847.830 | Spectra Mask, Black Skirt, Bronze                           |                    | 2,545 |
| X24.847.140 | Spectra Mask, Black Skirt, Mirror Lens, Black/Silver        |                    | 3,035 |
| X24.847.840 | Spectra Mask, Black Skirt, Mirror Lens, Bronze              |                    | 3,035 |



**MASKS - SCUBAPRO (Continued)**

|             |  |                 |        |
|-------------|--|-----------------|--------|
| X24.813.140 | Synergy Twin Mask, Black Skirt, Mirror Lens - Black/Silver, w. Comfort Strap |                 | 4,500  |
| X24.813.130 | Synergy Twin Mask, Black Skirt, Black/Silver, w. Comfort Strap               |                 | 3,915  |
| X24.813.230 | Synergy Twin Mask, Black Skirt - Turquoise, w. Comfort Strap                 |                 | 3,915  |
| X24.813.310 | Synergy Twin Mask, Black Skirt - Black/Red, w. Comfort Strap                 |                 | 3,915  |
| X24.813.510 | Synergy Twin Mask, Black Skirt - Black/Yellow, w. Comfort Strap              |                 | 3,915  |
| X24.813.730 | Synergy Twin Mask, Black Skirt - Solid Pink, w. Comfort Strap                |                 | 3,915  |
| X24.839.140 | Synergy 2 Mask, w. Comfort Strap, Black Skirt w. mirror lens - Silver        |                 | 4,500  |
| X24.839.130 | Synergy 2 Mask, w. Comfort Strap, Black Skirt - Silver                       |                 | 3,915  |
| X24.157.001 | Zoom Mask, Black skirt, Black/Silver   | Optics optional | 2,350  |
| X24.157.002 | Zoom Mask, Black skirt, Blue/Silver  | Optics optional | 2,350  |
| X24.157.005 | Zoom Mask, Black skirt, Yellow/Black   | Optics optional | 2,350  |
| X24.157.006 | Zoom Mask, Black skirt, Red/Black  | Optics optional | 2,350  |
| X24.157.007 | Zoom Mask, Black skirt, Pink/Black   | Optics optional | 2,350  |
| X24.157.1xx | Color Kit f. Zoom Mask - see Catalogue                                       |                 | 540    |
| X24.595.4xx | Prescription Lens Left or Right side for Zoom Mask -1.0 to -8.0, per piece   |                 | 1,375  |
| X24.595.200 | BIFOCUS LENS FINO/ZOOM Masks - Left side only, +1.00                         |                 | 965    |
| X24.595.203 | BIFOCUS LENS FINO/ZOOM Masks - Left side only, +2.00                         |                 | 965    |
| X24.595.204 | BIFOCUS LENS FINO/ZOOM Masks - Left side only, +3.00                         |                 | 965    |
| X24.595.300 | BIFOCUS LENS FINO/ZOOM Masks - Right side only, +1.00                        |                 | 965    |
| X24.595.303 | BIFOCUS LENS FINO/ZOOM Masks - Right side only, +2.00                        |                 | 965    |
| X24.595.304 | BIFOCUS LENS FINO/ZOOM Masks - Right side only, +3.00                        |                 | 965    |
| X24.250.300 | D Mask, Black w. Blue Subframe, HUD Adapter, Comfort Strap                   | Optics optional | 5,480  |
| X24.252.10x | Color Kit for D Mask - Black, Blue, Pink, Turquoise, Yellow                  |                 | 510    |
| X24.254.0xx | Prescription Lens fit Left, D-Masks, -1.5 to -5.0                            |                 | 1,540  |
| X24.254.1xx | Prescription Lens fit Right, D-Masks, -1.5 to -5.0                           |                 | 1,540  |
| X24.255.0xx | Bifocus Lens fit Left, D-Masks, +1.0 to +3.0                                 |                 | 1,050  |
| X24.255.1xx | Bifocus Lens fit Right, D-Masks, +1.0 to +3.0                                |                 | 1,050  |
| X24.150.000 | Full Face Mask - Black Silicone Skirt  |                 | 26,035 |
| X24.150.030 | Octopus Kit for Full Face Mask   |                 | 1,225  |

**SNORKELS - SCUBAPRO**

|             |   |             |       |
|-------------|---|-------------|-------|
| X26.070.000 | Trinidad - K                            |             | 925   |
| X26.130.000 | Apnea Snorkel - Soft tube, Black        | Free Diving | 705   |
| X26.130.600 | Apnea Snorkel - Soft tube, White        | Free Diving | 705   |
| X26.706.130 | Spectra semi dry - Black w. Silver      |             | 1,130 |
| X26.706.220 | Spectra semi dry - Clear w. Blue        |             | 1,130 |
| X26.706.600 | Spectra semi dry - Clear w. White       |             | 1,130 |
| X26.706.720 | Spectra semi dry - Clear w. Pink        |             | 1,130 |
| X26.706.830 | Spectra semi dry - Black w. Bronze      |             | 1,130 |
| X26.722.130 | Spectra dry - Black w. Silver           |             | 1,605 |
| X26.810.220 | Nexus semi dry - Clear w. Metallic Blue | Reduced     | 990   |

**FINS - DEEP BLUE**

|              |   |             |     |
|--------------|---|-------------|-----|
| DBF770-S/M   | Speed1 Snorkeling Fins S/M - B, K, Y                    | Best Rental | 940 |
| DBF770-ML/XL | Speed1 Snorkeling Fins L/XL - B, K, Y                   | Best Rental | 940 |
| DBF367(5XS)  | Speed2 Fins 5XS (28/30) - Blue, Yellow                  | Reduced     | 675 |
| DBF367(XS-S) | Speed2 Fins XS (36/37), S (38/39) - Black, Blue, Yellow |             | 825 |
| DBF367(M-L)  | Speed2 Fins M (40/42), L (43/44) - Black, Blue, Yellow  |             | 930 |
| DBF367(XL)   | Speed2 Fins XL (45/46) - Black, Blue, Yellow            |             | 975 |

**FINS - DEEP BLUE (Continued)**

|             |   |                    |     |
|-------------|---|--------------------|-----|
| DBFB86      | Speed3 Snorkeling Fins S/M (36/42) - BT, K, O, YT       | <b>Best Rental</b> | 940 |
| DBFB85      | Speed3 Snorkeling Fins L/XL (43/48) - BT, K, O, YT      | <b>Best Rental</b> | 940 |
| DBFA22 & 23 | Speed1 Junior Fins S/M, ML/XL - GT, PiT, YT             |                    | 740 |
| DBFB87      | Speed3 Junior Snorkeling Fins S/M (27/31) - BT, PiT, YT |                    | 750 |
| DBFB88      | Speed3 Junior Snorkeling Fins M/L (31/36) - BT, PiT, YT |                    | 750 |
| DBFB89      | Speed3 Junior Snorkeling Fins LG (37/41) - BT, PiT, YT  |                    | 750 |

**FINS - SAEKODIVE**

|       |  |  |       |
|-------|--|--|-------|
| S2030 | Saekodive Jet Fins, Rubber Strap, OH, XL - Black           |  | 2,250 |
| S2031 | Saekodive Jet Fins, Rubber Strap, OH, L - Black            |  | 2,250 |
| S2032 | Saekodive Jet Fins, Rubber Strap, OH, M - Black            |  | 2,250 |
| S2950 | Tattoo Freediving Fin, sizes XXS to L, 35-46, Black, White |  | 3,250 |

**FINS - SEAC**

|           |   |                    |       |
|-----------|---|--------------------|-------|
| B9290     | F-100 PRO full foot Fins 36/37 - B, Pi, R, Y (no black)     | <b>Best Rental</b> | 2,590 |
| B9291     | F-100 PRO full foot Fins 38/39 - B, Pi, R, Y (no black)     | <b>Best Rental</b> | 2,590 |
| B9292     | F-100 PRO full foot Fins 40/41 - B, K, Pi, R, Y             | <b>Best Rental</b> | 2,590 |
| B9293     | F-100 PRO full foot Fins 42/43 - B, K, R, Y                 | <b>Best Rental</b> | 2,590 |
| B9294     | F-100 PRO full foot Fins 44/45 - B, K, R, Y                 | <b>Best Rental</b> | 2,590 |
| B9295     | F-100 PRO full foot Fins 46/47 - B, K, R, Y                 | <b>Best Rental</b> | 2,590 |
| B71043SM  | Propulsion S (sling strap) open heel Fins S/M - B, K, W, Y  |                    | 4,450 |
| B71043ML  | Propulsion S (sling strap) open heel Fins M/L - B, K, W, Y  |                    | 4,450 |
| B71043LXL | Propulsion S (sling strap) open heel Fins L/XL - B, K, W, Y |                    | 4,450 |

**FINS - SCUBAPRO**

|   |  |                    |       |
|---|--|--------------------|-------|
| X25.743.090-3XS   | GO Rental Fin, Black, size 3XS, Strap Purple                                       | <b>Best Rental</b> | 3,375 |
| X25.743.000-2XS   | GO Rental Fin, Black, size 2XS, Strap Green  | <b>Best Rental</b> | 3,375 |
| X25.743.150-XS/S  | GO Rental Fin, Black, size XS-S, Strap Blue  | <b>Best Rental</b> | 3,375 |
| X25.743.300-M/L   | GO Rental Fin, Black, size M-L, Strap Yellow                                       | <b>Best Rental</b> | 3,375 |
| X25.743.500-XL  | GO Rental Fin, Black, size XL, Strap Orange  | <b>Best Rental</b> | 3,375 |
| X25.743.600-2XL   | GO Rental Fin, Black, size 2XL, Strap Grey   | <b>Best Rental</b> | 3,375 |
| X25.7xx.xx0   | Fin Strap, GO Bungee, size MINI - B, G, K, O, Pu, Y                                |                    | 900   |
| X25.7xx.xx0   | Fin Strap, GO Bungee, size MIDI - B, G, K, O, Pu, Y                                |                    | 900   |
| X25.741.x00   | Go Travel Fin, sizes 2XS, XS-S, XL - White   | <b>NEW</b>         | 3,825 |
| X25.84x.x00   | Go Travel Fin, sizes 3XS to 2XL - Blue, Pink, Turq, Yellow                         | <b>NEW</b>         | 3,825 |
| X25.76x.x00   | GO SPORT Fins, OH, sizes XS to XL, Black, Pink, Turq., White, Yellow               |                    | 4,875 |
| X25.767.x00   | Go Sport Gorilla, sizes XS to XL - Orange  | <b>NEW</b>         | 5,530 |
| X25.768.x00   | Go Sport Gorilla, sizes XS to XL - Black   | <b>NEW</b>         | 5,530 |
| X25.328.xxx   | Go Sport Scuba Skegs, Set, 4 units/set - Army Green, G, Si, Pu, K, Tu, B, O, Y, Pi |                    | 285   |
| X25.365.x00   | Jet Fins, OH, sizes M to 2XL, Black - w. Spring Heel Strap                         |                    | 6,810 |
| <b>Special Order ONLY - limited availability - please enquire</b> |  |                    |       |
| X25.39x.x00   | Jet Fins w. Spring Strap, sizes M to XL, Camo (Red, Brown, D.Blue, White)          |                    | 9,425 |
| X25.36x.000   | Revo Jet Fins, OH, sizes Regular and Grande, Black                                 |                    | 9,735 |
| X25.36x.000   | Revo Jet Fins, OH, sizes Regular and Grande, White                                 |                    | 9,735 |
| X25.365.x05   | Spring Heel Straps for Jet Fin, Revo Fin, M, L, XL, 2XL (Pair)                     |                    | 2,200 |

**FINS - SCUBAPRO (Continued)**

|             |   |                   |       |
|-------------|---|-------------------|-------|
| X25.729.x00 | Seawing Nova Fins, Open Heel, sizes XS to XL - Turquoise          | <b>NEW</b>        | 7,425 |
| X25.737.x00 | Seawing Nova Fins, Open Heel, sizes XS to XL - Yellow             | <b>NEW</b>        | 7,425 |
| X25.73x.x00 | Seawing Nova Fins, Open Heel, sizes XS to XL - Black, Pink, White |                   | 7,425 |
| X25.734.x00 | Sea wing Gorilla, sizes S to XL - Orange                          | <b>NEW</b>        | 8,380 |
| X25.505.x00 | Seawing Supernova Fins, Open Heel, sizes XS to XL, Black          |                   | 8,245 |
| X25.506.x00 | Seawing Supernova Fins, Open Heel, sizes XS to XL, White          |                   | 8,245 |
| X25.50x.00x | Supernova Blade MFS, sizes Midi and Maxi, Black and White         |                   | 5,900 |
| X25.51x.00x | Supernova Blade MFS, sizes Midi and Maxi, B, Pi, Y and Turq       | <b>ETA Nov 23</b> | 5,900 |
| X25.500.x00 | S-TEK Fin Open Heel, sizes XS to XL, Black                        | <b>NEW</b>        | 9,700 |
| X25.50x.00x | S-TEK Blade MFS, sizes Midi and Maxi, Black, Orange, White        | <b>ETA Mar 24</b> | 5,900 |
| X25.555.x00 | FF Foot Pocket MFS, sizes XS to XL, Black                         |                   | 2,645 |
| X25.556.x00 | FF Foot Pocket MFS, sizes XS to XL, White                         |                   | 2,645 |
| X25.560.x00 | Boot Fit Pocket MFS, sizes XS to XL, Black                        |                   | 4,755 |
| X25.561.x00 | Boot Fit Pocket MFS, sizes XS to XL, White                        |                   | 4,755 |
| X25.557.001 | Fin Strap, HD Bungee, MIDI, Black (Pair)                          |                   | 1,525 |
| X25.558.001 | Lock Plate Set, MFS, Black  |                   | 390   |
| X25.550.001 | MFS Multi-Tool  |                   | 630   |

**BOOTS & GLOVES - DEEP BLUE**

|        |  |                    |       |
|--------|--|--------------------|-------|
| DBG01  | Glove Deep Blue, 1.5 mm, sizes XS to XL                              |                    | 650   |
| DBB01B | Classic Boot, 5mm, sizes 2XS to 2XL, with orange insert              | <b>Best Rental</b> | 1,490 |
| DBB01C | Nautilus Boot, 5mm, sizes 2XS to XL, with blue lining                | <b>Best Rental</b> | 1,490 |
| DBB02A | Reef Half Boot, 3 mm, sizes 2XS to 2XL, with pull-cord               |                    | 990   |
| DBB03  | Neoprene Sock, 2mm (non slip surface), sizes 2XS to 2XL              |                    | 490   |
| DBB04  | Aloha Beach Walker, Black w. Orange, sizes 31, 32, 35, 36, 38 to 45  |                    | 425   |
| DBB05  | Aloha Beach Walker, Black w. Blue, sizes 31, 35, 36                  |                    | 425   |
| DBB06  | Aloha Beach Walker, Black w. Blue trim, sizes 35, 36, 37, 38, 39, 40 |                    | 425   |

**BOOTS & GLOVES - SCUBAPRO**

|             |   |                |       |
|-------------|---|----------------|-------|
| X58.325.x00 | Tropic Gloves, 1.5 mm, size 2XL only, Black/Grey      | <b>Reduced</b> | 950   |
| X58.326.x00 | Tropic Gloves, 1.5 mm, sizes XS, XL, 2XL only, Black  | <b>Reduced</b> | 950   |
| X58.035.x00 | Tropic Gloves, 1.5 mm, sizes XS to XL, Black          |                | 2,140 |
| X58.034.x00 | Tropic Gloves 1.5mm, Flamingo, sizes 2XS to XL        |                | 2,300 |
| X58.032.x00 | Tropic Gloves 1.5mm, Aegean, sizes 2XS to XL          |                | 2,300 |
| X58.031.x00 | Tropic Gloves 1.5mm, Graphite, sizes 2XS to XL        |                | 2,300 |
| X58.000.x00 | Seamless Gloves 1.5mm, sizes XS to XL                 |                | 2,665 |
| X57.166.x00 | Delta Short Boots, 3 mm, sizes 3XS/4 to 2XL/11, Black |                | 2,015 |
| X57.138.x00 | Delta Club Boots, 5 mm, sizes 3XS/4 to 3XL/12, Black  |                | 3,290 |



**WETSUIT & LYCRA - DEEP BLUE**

|          |   |                    |       |
|----------|---|--------------------|-------|
| DBADS01  | Sportflex Pro Shorty 3mm, CR-Foam, Black, sizes 2XS to 3XL          | <b>Best Rental</b> | 2,290 |
| DBADS02  | Sportflex Shorty 3mm, SBR-Foam, Black/Blue, sizes S to XL           | <b>Best Rental</b> | 2,100 |
| DBADS04  | Sportflex Shorty 3mm, SBR-Foam, Black, sizes 2XS to 3XL             | <b>Best Rental</b> | 2,100 |
| DBADS03  | Sportflex Pro Steamer 3mm, CR-Foam, Black, sizes XS to 3XL          | <b>Best Rental</b> | 3,490 |
| DBADS03P | Sportflex Pro Steamer 3mm, CR-Foam, w. Print, Black sizes XS to 3XL |                    | 2,990 |
| DBLR1K   | Icon Rash Guard Black, sizes 2XS to 2XL                             |                    | 990   |
| DBLR1KGy | Icon Rash Guard Black/Grey, sizes XS to 2XL                         |                    | 990   |
| DBLR1KB  | Icon Rash Guard Black/Blue, sizes 2XS to 2XL                        |                    | 990   |
| DBLR2K   | Icon Rash Guard Black, Blue Logo, sizes M to 2XL                    |                    | 990   |
| DBLRLF   | Icon Loose Fit Rash Guard, Black, sizes XS to XL                    |                    | 1,150 |

**WETSUIT & LYCRA - SCUBAPRO****Rash Guards for Men**

|             |  |  |       |
|-------------|--|--|-------|
| X62.031.x00 | Rash Guard LS Men, UPF50, Chlorine Resistant, Black, sizes XS to 2XL |  | 1,870 |
| X65.031.x00 | Rash Guard LS Men, UPF50, Black, sizes XS to 2XL                     |  | 2,445 |
| X65.032.x00 | Rash Guard LS Men, UPF50, Graphite, sizes XS to 2XL                  |  | 3,490 |
| X65.033.x00 | Rash Guard LS Men, UPF50, Aegean, sizes XS to 2XL                    |  | 3,490 |
| X65.231.x00 | T-Flex Rash Guard - LS - Men, Black, UPF 80, sizes XS to 2XL         |  | 3,490 |
| X65.232.x00 | T-Flex Rash Guard - LS - Men, Graphite, UPF 80, sizes XS to 2XL      |  | 3,490 |

**Rash Guards for Ladies**

|             |   |                |       |
|-------------|---|----------------|-------|
| X65.736.x00 | T-Flex Rash Guard - LS - Lady, Onyx, UPF 80, sizes XS to XL     |                | 3,020 |
| X65775      | T-Flex Legging Lady, UPF80, Caribbean, sizes XS and S available | <b>Reduced</b> | 1,450 |
| X657791/XS  | T-Flex Legging Lady, UPF80, Jewel, size XS available            | <b>Reduced</b> | 1,450 |

**Unisex**

|             |   |                |       |
|-------------|---|----------------|-------|
| X636602/S   | Camo Rash Guard, 1 mm - LS - Unisex, size S available | <b>Reduced</b> | 1,600 |
| X65.353.x00 | Hybrid Shorts w cargo pockets & belt, sizes S to 2XL  |                | 6,255 |

**Hybrids for Men**

|             |   |  |        |
|-------------|---|--|--------|
| X65.331.x00 | Hybrid Thermal Top Men, 1mm, Black, sizes XS to 2XL   |  | 4,700  |
| X63.420.x00 | Everflex Top Men, 1.5mm, Long Sleeve, sizes XS to 2XL |  | 10,045 |
| X63.433.x00 | Everflex Pant Men, 1.5mm, sizes XS to 2XL             |  | 8,995  |

**Wetsuits for Men**

|             |  |                  |        |
|-------------|--|------------------|--------|
| X63.713.x00 | Oneflex Shorty Men, 2.5mm, Fzip, sizes S to XL                       | <b>Promotion</b> | 4,500  |
| X63.652.x00 | Sport Steamer Men, 0.5mm, Black, sizes S to XL                       |                  | 7,675  |
| X63.930.x00 | Definition Men, 3mm, Black/Yellow, with W&A zippers, sizes XS to 2XL |                  | 16,120 |
| X634826/XXL | Everflex Steamer Men, 3mm, Black, no W/A zips, size 2XL available    | <b>Reduced</b>   | 11,500 |
| X63.766.x00 | Yulex Everflex Steamer Men, 3/2mm, sizes XS to 2XL                   |                  | 23,245 |
| X63.768.x00 | Yulex Everflex Steamer Men, 5/4mm, sizes S to 2XL                    |                  | 28,700 |

**Wetsuits for Ladies**

|             |   |                |        |
|-------------|---|----------------|--------|
| X63447/XXS  | Profile Women, 0.5mm, Black/Grey/White, size 2XS available                  | <b>Reduced</b> | 4,250  |
| X63354      | E'flex Stmr Women, 3mm, Black/White, no W/A zips, sizes 2XS and L available | <b>Reduced</b> | 8,400  |
| X63.931.x00 | Definition Women, 3mm, Black/Pink, with W&A zippers, sizes 2XS to L         |                | 16,120 |
| X63.767.x00 | Yulex Everflex Steamer Women, 3/2mm, sizes 2XS-L                            |                | 23,245 |
| X63.769.x00 | Yulex Everflex Steamer Women, 5/4mm, sizes XS-L                             |                | 28,700 |
| X64464XL    | Thermal Tec Women, 5mm, with W&A zippers, Black, size XL only               | <b>Reduced</b> | 6,400  |

**Hoods & Vests**

|             |   |  |       |
|-------------|---|--|-------|
| X64.062.x00 | Scubapro Hooded Vest 2.5/0.5mm, sizes 2XS to 3XL                    |  | 5,095 |
| X70.018.x00 | Scubapro Hooded Vest Men, w. front zip, 3.0mm, Asian sizes S to 2XL |  | 7,980 |
| X70.019.x00 | Scubapro Hooded Vest Lady w. front zip, 3.0mm, Asian sizes S to XL  |  | 7,980 |
| X67.115.x00 | Hood - Everflex 5/3mm w. face seal, sizes XS to 2XL                 |  | 2,420 |

**WETSUIT & LYCRA - SUBGEAR**

|              |                                       |         |     |
|--------------|---------------------------------------|---------|-----|
| G863.890.086 | Harmony Rebel Rash Guard 86cm - Girls | Reduced | 450 |
|--------------|---------------------------------------|---------|-----|

**OTHER SCUBAPRO PRODUCTS**

|             |  |  |       |
|-------------|--|--|-------|
| X50.582.000 | Scubapro Microfiber Towel - Large (160cm x 80cm), Blue |  | 2,175 |
|-------------|--|--|-------|

**WETSUIT ACCESSORIES**

|       |   |  |     |
|-------|---|--|-----|
| SAH06 | Universal Hanger Saekodive - B, K, O, Y |  | 410 |
|-------|---|--|-----|

**DRYBOX - SAEKODIVE**

|       |                          |     |     |
|-------|--------------------------|-----|-----|
| SAD06 | Dry Box, Yellow - Size S | NEW | 285 |
|-------|--------------------------|-----|-----|

**DRYBAGS - DEEP BLUE****Dry Pack Range: Square Logo**

|          |  |  |     |
|----------|--|--|-----|
| DBBA01-O | Adventure Dry Pouch 1.5 L (w. snap-on clip & shoulder strap)                     |  | 295 |
| DBBA02   | Adventure Dry Pack 1.5 L. (incl. shoulder strap) - B, BL, Ci, K, O, Pi, Pu, R, Y |  | 295 |
| DBBA03   | Adventure Dry Pack 3 L. (incl. shoulder strap) - B, BL, Ci, K, O, Pi, Pu, R, Y   |  | 385 |
| DBBA10   | Adventure Dry Pack 10 L. (incl. shoulder strap) - B                              |  | 495 |
| DBBA15   | Adventure Dry Pack 15 L. (incl. shoulder strap) - BL, Pi, R                      |  | 580 |

**Dry Pack Range: Vertical Logo - Ideal for Custom Printing**

|        |   |  |     |
|--------|---|--|-----|
| DBBV05 | Adventure Dry Pack 5 L. (incl. shoulder strap) - B, BL, Ci, K, O, Pi, Pu, R, Y  |  | 445 |
| DBBV10 | Adventure Dry Pack 10 L. (incl. shoulder strap) - B, BL, Ci, K, O, Pi, Pu, R, Y |  | 495 |
| DBBV15 | Adventure Dry Pack 15 L. (incl. shoulder strap) - B, BL, Ci, K, O, Pi, R, Y     |  | 580 |
| DBBV20 | Adventure Dry Pack 20 L. (incl. shoulder strap) - B, K, R, Y                    |  | 670 |
| DBBV30 | Adventure Dry Pack 30 L. (incl. shoulder strap) - B, K, R, Y                    |  | 775 |
| DBBV40 | Adventure Dry Pack 40 L. (incl. shoulder strap) - B, K, R, Y                    |  | 885 |

**Destination Printed Range: PHUKET**

|          |  |               |     |
|----------|--|---------------|-----|
| DBBC05Ph | Adventure Dry Pack 5 L, PHUKET (incl. 2 shoulder straps) - O, Y      | Special Price | 250 |
| DBBC10Ph | Adventure Dry Pack 10 L, PHUKET (incl. 2 shoulder straps) - Ci, O, Y | Special Price | 275 |

**Branded promotional Bags**

|             |  |  |     |
|-------------|--|--|-----|
| DB007SP-B/K | Scubapro Dry Bag, 10L, 2 Straps, Black, Blue |  | 495 |
| DB007SU-K/Y | Suunto Dry Bag, 10L, 2 Straps, Black, Yellow |  | 495 |

**Straps**

|          |  |  |    |
|----------|--|--|----|
| DB8200-S | Strap for Dry Bag 1" wide (2.5cm), for 1.5L to 10L |  | 50 |
| DB8200-L | Strap for Dry Bag 1.5" wide (3.8cm), for 15L & 20L |  | 60 |

**Dry BACKPACK Range**

|         |   |     |       |
|---------|---|-----|-------|
| DBBACK1 | Deep Blue Adventure Backpack, Black, Blue, Citrus, Sky Blue, Yellow     |     | 1,490 |
| DBBACK2 | Deep Blue Adventure Backpack 2.0, Black, Blue, Citrus, Sky Blue, Yellow | NEW | 1,590 |

**Dry Phone Pouch**

|       |   |     |     |
|-------|---|-----|-----|
| DBNCA | DB Waterproof Pouch for Smartphone, etc. - B, Gr, Y | NEW | 220 |
|-------|---|-----|-----|

**BAGS - DEEP BLUE**

|          |   |                    |       |
|----------|---|--------------------|-------|
| DB8001   | Deep Blue Regulator Bag                             |                    | 665   |
| DB8010   | Deep Blue Gearbag, large size (~60 liter) - B, K, R | <b>Best Rental</b> | 935   |
| DB8020   | Deep Blue Gearbag, oversize (~90 liter) - B, K, R   | <b>Best Rental</b> | 1,275 |
| DBBL3176 | Deep Blue Mesh Gearbag 63cm - Black                 | <b>Best Rental</b> | 1,140 |
| DB8044   | Document Pouch Splashproof A4                       |                    | 225   |
| DB8004   | Safety Balloon Bag "Dive Supply"                    |                    | 155   |
| DB8040   | Snorkeling bag                                      |                    | 665   |
| DB8063   | Meshbag with String (Mask & Snorkel)                |                    | 60    |
| DB8065   | Mesh Bag for Mask + Snorkel Set - B, Y              |                    | 120   |
| DB8066-B | Bag for Mask + Snorkel + Fin Set - B                |                    | 225   |

**BAGS - SCUBAPRO**

|             |                                       |                  |        |
|-------------|---------------------------------------|------------------|--------|
| X53.365.170 | Cabin Bag, with 4 wheels, 3.18kg, 37L | <b>Promotion</b> | 3,525  |
| X53.338.190 | Carry-on Foldable Bag, 0.2kg, 28L     | <b>Promotion</b> | 575    |
| X53.023.110 | Definition Weight 7 (Toolbag)         | <b>NEW</b>       | 1,675  |
| X53.023.120 | Definition Reg 10 (Travel Reg Bag)    | <b>NEW</b>       | 3,220  |
| X53.023.130 | Definition Pack 24 (Reporter/Dry 45)  | <b>NEW</b>       | 4,130  |
| X53.023.150 | Definition Roll 130 (DiveNRoll)       | <b>NEW</b>       | 16,595 |
| X53.123.200 | Sport Bag 9 (Reg Bag)                 | <b>NEW</b>       | 1,395  |
| X53.123.210 | Sport Bag 10 (Beach Bag Snorkel)      | <b>NEW</b>       | 3,455  |
| X53.123.220 | Sport Mesh 65 (Mesh Sac)              | <b>NEW</b>       | 3,220  |
| X53.123.230 | Sport Mesh 95 (Mesh Bag)              | <b>NEW</b>       | 3,830  |
| X53.123.240 | Sport Bag 105 (Caravan Bag)           | <b>NEW</b>       | 11,450 |
| X53.123.250 | Sport Mesh Roll 100 (MeshNRoll)       | <b>NEW</b>       | 6,330  |
| X53.123.260 | Sport Bag 125 (Porter Bag)            | <b>NEW</b>       | 10,045 |

**LIFT BAGS**

|       |                                |  |       |
|-------|--------------------------------|--|-------|
| TLS15 | Lift Bag 35 Kg (w. dump valve) |  | 5,915 |
| TLS20 | Lift Bag 75 Kg (w. dump valve) |  | 8,290 |

**PELICAN MICRO CASES w/o FOAM (L x W x H)**

|       |  |  |       |
|-------|--|--|-------|
| N1010 | Micro Case 11.1 x 7.3 x 4.3 cm (internal) - B    |  | 780   |
| N1020 | Micro Case 13.5 x 9 x 4.3 cm (internal) - B      |  | 1,020 |
| N1030 | Micro Case 16.2 x 6.7 x 5.2 cm (internal) - B, R |  | 1,070 |

**PELICAN CASES WITH FOAM INSERT (L x W x H)**

|          |                                 |  |        |
|----------|---------------------------------|--|--------|
| N1120    | Case 21 x 17 x 9 cm (external)  |  | 2,585  |
| N1150    | Case 23 x 20 x 11 cm (external) |  | 2,810  |
| N1170    | Case 30 x 21 x 10 cm (external) |  | 3,425  |
| N1200    | Case 27 x 25 x 12 cm (external) |  | 3,785  |
| N1300    | Case 27 x 25 x 17 cm (external) |  | 4,790  |
| N1400    | Case 34 x 30 x 15 cm (external) |  | 6,785  |
| N1450    | Case 41 x 33 x 18 cm (external) |  | 8,705  |
| N1500    | Case 47 x 36 x 18 cm (external) |  | 10,420 |
| N1510    | Case 56 x 35 x 23 cm (external) |  | 13,810 |
| N1520    | Case 50 x 40 x 19 cm (external) |  | 11,410 |
| N1560    | Case 56 x 46 x 27 cm (external) |  | 15,590 |
| N1600    | Case 62 x 49 x 22 cm (external) |  | 16,690 |
| N1610    | Case 63 x 50 x 30 cm (external) |  | 20,290 |
| N1620    | Case 62 x 49 x 35 cm (external) |  | 22,380 |
| N1506TSA | Pelican Cable Padlock           |  | 990    |

**CAMERAS - INTOVA****Intova Accessories: Mounts & Grips**

|           |                        |  |     |
|-----------|------------------------|--|-----|
| MSSP1EXT  | Extension Pole for SP1 |  | 395 |
| MSSP1-CHS | Camera Hand Strap      |  | 260 |
| MSSP1-HBM | Handle Bar/Pole Mount  |  | 615 |

**Intova Accessories: Filters**

|           |                                      |  |     |
|-----------|--------------------------------------|--|-----|
| MSSFRED52 | Intova Red Filter 52mm - IC16 & IC14 |  | 995 |
|-----------|--------------------------------------|--|-----|

**Intova Accessories: Care & Maintenance**

|        |                 |  |     |
|--------|-----------------|--|-----|
| MSSCCK | Camera Care Kit |  | 440 |
|--------|-----------------|--|-----|

**CAMERAS - OLYMPUS****CAMERA & HOUSING PACKAGE**

|              |   |     |        |
|--------------|---|-----|--------|
| OL-TG7Set-K@ | OLYMPUS TG-7 Tough Black with U/W Housing | NEW | 33,990 |
| OL-TG7Set-R@ | OLYMPUS TG-7 Tough Red with U/W Housing   | NEW | 33,990 |

**Cameras & Housings**

|          |   |     |        |
|----------|---|-----|--------|
| OL-TG7-K | OLYMPUS TG-7 STYLUS Tough Camera, Black | NEW | 21,990 |
| OL-TG7-R | OLYMPUS TG-7 STYLUS Tough Camera, Red   | NEW | 21,990 |
| OL-PT059 | U/W housing for TG-6 / TG-7             |     | 12,990 |

**Olympus - Strobe & Accessories**

|           |  |  |       |
|-----------|--|--|-------|
| OL-UC92   | Lithium-Ion Battery Charger for LI-92B (Fast: 5 Hrs) |  | 2,990 |
| OL-LI92B  | Spare Battery  |  | 990   |
| OL-FCA01  | Fiber Optic Cable Adapter for TG series              |  | 790   |
| OL-POL058 | O-Ring TG5/TG6/TG7                                   |  | 690   |

**Deep Blue - Accessories**

|            |  |           |       |
|------------|--|-----------|-------|
| DBBRDIV08W | DB Video Light, 1500Lm/2.0hrs - 200Lm/25hrs, 1*26650 Battery&Charger | Promotion | 3,500 |
|------------|--|-----------|-------|

**SEA&SEA Strobe & Fiber Optic**

|          |   |  |        |
|----------|---|--|--------|
| OL-YSD3  | YS-D3 Strobe                                    |  | 25,990 |
| OL-5012B | Fibre Optic Cable II/M (Length 453mm/17.8 inch) |  | 2,690  |

**X-Adventurer - Light & Accessories**

|          |  |  |       |
|----------|--|--|-------|
| OL-M2500 | M2500 WSRBA Smart Focus Video Light      |  | 9,990 |
| OL-TR03  | Handle Tray Set                          |  | 2,990 |
| OL-L06   | Double Ball Arm 6"                       |  | 1,290 |
| OL-L09   | Double Ball Arm 9"                       |  | 1,490 |
| OL-L12   | Double Ball Arm 12"                      |  | 1,850 |
| OL-CL01  | Aluminium Clamp (Black)                  |  | 950   |
| OL-LA01  | 30cm Lanyard with Shackles - Black/White |  | 590   |

**Aoi - Wide Angle Wet Lens & Accessories**

|        |                                       |  |       |
|--------|---------------------------------------|--|-------|
| OL-QRS | Quick Release System for AO1 UWL-400a |  | 6,480 |
|--------|---------------------------------------|--|-------|

**INON - Accessories**

|            |                                 |  |       |
|------------|---------------------------------|--|-------|
| OL-HotShoe | EX-HOTS03 Hot Shoe Ball Adapter |  | 1,090 |
|------------|---------------------------------|--|-------|

**CAMERA ACCESSORIES - NAUTICAM****Nauticam Light Mounting System**

|            |   |  |       |
|------------|---|--|-------|
| ONAU.71206 | Easitray II with left handle (with 2pcs 1/4" screws)        |  | 4,880 |
| ONAU.71207 | Flexitray II with left handle (with 2pcs 1/4" screws)       |  | 6,830 |
| ONAU.71208 | Adjustable right handle II (for Easitray II & Flexitray II) |  | 2,080 |
| ONAU.71311 | Strobe mounting ball for Easitray & Flexitray               |  | 780   |



**CAMERA ACCESSORIES - NAUTICAM (Continued)**

|            |   |       |
|------------|---|-------|
| ONAU.72204 | 200mm double ball arm                   | 2,410 |
| ONAU.72205 | 300mm double ball arm                   | 2,540 |
| ONAU.72301 | 50mm single ball arm                    | 1,290 |
| ONAU.72501 | Standard clamp                          | 1,690 |
| ONAU.72503 | Long standard clamp                     | 2,020 |
| ONAU.72505 | Triple Clamp                            | 2,280 |
| ONAU.25311 | Strobe mounting ball for cold shoe      | 1,890 |
| ONAU.25312 | Light mounting stem for cold shoe       | 1,890 |
| ONAU.25411 | 18cm lanyard with 2 snap hooks          | 1,890 |
| ONAU.25412 | 23cm lanyard with 2 snap hooks          | 1,890 |
| ONAU.25321 | Long strobe mounting ball for cold shoe | 2,080 |
| ONAU.25322 | Long light mounting stem for cold shoe  | 2,080 |
| ONAU.25016 | Nauticam lubricant (Christo Lube)       | 780   |

**WATERPROOF DIVE LIGHTS****DEEP BLUE**

|            |   |                 |
|------------|---|-----------------|
| DBBSD01    | DB Signal Light, incl. AAA Battery                                      | 690             |
| DBBRDIV18  | DB Mini, 630Lm/1hr, 180Lm/1.3hrs, incl. 14500 Battery, Charger optional | 1,500           |
| DBBRDIV05  | DB Storm, 1050 Lm/2hrs, 1*18650 Battery&Charger                         | 2,700           |
| DBBRDIV12S | DB Tornado, 1000Lm/2hrs - 150Lm/15hrs, 1*18650 Battery&Charger          | 2,800           |
| DBBRDIV08W | DB Video Light, 1500Lm/2.0hrs - 200Lm/25hrs, 1*26650 Battery&Charger    | Promotion 3,500 |
| DBBRDIV15S | DB Typhoon Torch, 3800Lm/1.5hrs, 1300Lm/3.5hrs, 2*26650 Battery&Charger | 10,900          |
| DBBRDIV20S | DB Cave Master, 1500Lm/7hrs, 500Lm/17hrs, 8*18650 Battery&Charger       | 16,500          |

**DEEP BLUE Light Accessories and Parts**

|                |  |         |
|----------------|--|---------|
| DBZDIV18Mount  | Mask Mount for DB Mini                                   | NEW 380 |
| DBZJ18         | Camera mounting Ball for DB Storm and Tornado            | NEW 630 |
| DBZDIV05Driver | Replacement Driver (PC board) for Storm Torch            | 560     |
| DBZDIV05Led    | Replacement LED bulb & base for Storm Torch              | 435     |
| DBZDIV05Ref    | Replacement Reflector for Storm Torch                    | 315     |
| DBZDIV05Lens   | Replacement Lens for Storm Torch                         | 180     |
| DBZDIV05Oring  | Replacement Head & Tail O-rings for Storm Torch (pair)   | 63      |
| DBZDIV05Mod    | Replacement Module Stopper for Storm Torch               | 120     |
| DBZDIV12Driver | Replacement Driver (PC board) for Tornado Torch          | 685     |
| DBZDIV12Led    | Replacement LED bulb & base for Tornado Torch            | 435     |
| DBZDIV12Switch | Replacement Switch for Tornado Torch                     | 370     |
| DBZDIV12Ref    | Replacement Reflector for Tornado Torch                  | 210     |
| DBZDIV12Lens   | Replacement Lens for Tornado Torch                       | 155     |
| DBZDIV12Oring  | Replacement Head & Tail O-rings for Tornado Torch (pair) | 63      |
| DBZDIV12Mod    | Replacement Module Stopper for Tornado Torch             | 120     |

**TOVATEC**

|            |  |       |
|------------|--|-------|
| MSSICOM-II | Tovatec Aluminium Compact Torch, 285 Lumens, 3 x AAA                       | 3,210 |
| MSSFus400  | Fusion 400 Video/Flashlight, 400 Lumens, w. Zoom, Rechargeable & 2 x AA    | 3,615 |
| MSSFus1050 | Fusion 1050 Video/Flashlight 1,050 Lumens, w. Zoom, Rechargeable & 3 x AAA | 4,750 |
| MSSFus1500 | Fusion 1500 Video/Flashlight 1,500 Lumens, w. Zoom, Rechargeable & 3 x AA  | 5,440 |

**TOVATEC Parts**

|        |  |     |
|--------|--|-----|
| MSSZ06 | Replacement Switch for Fusion, ICOM II | 325 |
| MSSZ02 | Battery Holder for ICOM                | 505 |

**UK Underwater Kinetics**

|           |   |        |
|-----------|---|--------|
| MUK544670 | CANNON eLED L1 / Pistol w. NiMH Batt. & Charg. - K, Y | 18,190 |
|-----------|---|--------|

**SAEKODIVE**

|          |  |       |
|----------|--|-------|
| SAL02-FY | Saekodive LED Light w/o batt, 150 Lu, 60m (2 x AA battery) | 1,050 |
|----------|--|-------|

**Batteries**

|          |   |     |
|----------|---|-----|
| MAA4     | AA Battery, Energizer MAX (4-Pack)            | 150 |
| MAAA4    | AAA Battery, Energizer MAX (4-Pack)           | 150 |
| MSSIT123 | CR123 Battery, Lithium 3.0V 14000MA Panasonic | 240 |

**WATERPROOF DIVE LIGHTS (Continued)**

|             |   |     |
|-------------|---|-----|
| DBZ14500BAT | Rech. Battery 14500 - 1000 mAh (Mini)                   | 190 |
| DBZ18650BAT | Rech. Battery 18650 - 3000 mAh (Storm/Tornado/Canister) | 285 |
| DBZ26650BAT | Rech. Battery 26650 - 5000mAh (.....)                   | 735 |
| DBZ18650CHR | Charger for 14500, 18650, 26650 Batteries               | 285 |
| DBZ26650CHR | Dual charger for 2 pcs 26650 Batteries                  | 825 |

**KNIVES - SAEKODIVE & OTHER**

|        |  |                     |
|--------|--|---------------------|
| S3006  | Dive Knife, 304 Stainless Steel Blade 14cm                           | 1,885               |
| S3006T | Dive Knife, Titanium Blade 13.8cm, sharp tip                         | 3,785               |
| S3011  | 2- in 1- Knife with Scissor Function                                 | <b>NEW</b><br>2,835 |
| S3007  | Knife w/plastic sheath for BCD, Blade 8cm, sharp tip - B, C, G, K, Y | 945                 |
| S3008  | Folding Knife, SS Blade 9.1cm, sharp tip                             | 945                 |
| S3008T | Folding Knife Titanium, Blade 9.1cm, sharp tip                       | 1,885               |
| S3118  | Folding Knife, Black SS Blade, 9.1cm, Handle B, G, K, O, Pi, Pu, Y   | 1,235               |
| SAS11N | Sea Snip w. Nylon Sheet  | 505                 |
| SAH12  | Nylon Sheath for Knife S3008   | 335                 |
| UKN100 | Galaxy Mini folding knife, 402 Stainless 9.5cm, Blade 2.8cm          | 1,490               |

**KNIVES - SCUBAPRO**

|             |   |        |
|-------------|---|--------|
| X32.022.000 | Mako Knife 8.5cm - Titanium               | 6,000  |
| X32.023.000 | Mako Knife 8.5cm - S. Steel               | 3,100  |
| X32.002.000 | White Tip Knife 6.5cm - S.Steel           | 3,000  |
| X32.065.000 | Mesh Cutter                               | 2,985  |
| X32.006.100 | K 6 Knife - Stainless Steel, 15.5cm Blade | 6,250  |
| X32.009.100 | TK 15, Stainless Steel, 15cm Blade        | 10,605 |
| X32.225.001 | JAWZ TI Standard - Black/Yellow           | 16,010 |
| X32.225.002 | JAWZ TI Military - Black                  | 17,015 |

**NITROX EQUIPMENT**

|               |   |        |
|---------------|---|--------|
| MO2decantwhip | O2 decanting whip with gauge              | 45,000 |
| DBFM400       | Flowmaster 400 Continuous Blending System | 56,250 |

**Vandagraph OX Analyzers**

|                |   |        |
|----------------|---|--------|
| MVA7910201-INT | Oxygen Analyzer Tek-Ox Auto + Quick-Ox, Auto off, INT     | 16,730 |
| MVA7910110-EXT | Oxygen Analyzer VN202mkII, Manual off, EXT                | 14,700 |
| MVA7910111-EXT | Oxygen Analyzer Set VN202mkII + Quick-Ox, Manual off, EXT | 16,100 |
| MVA9730210     | Quick OX Sampler  | 1,610  |

|                |   |        |
|----------------|---|--------|
| MVA0110217     | Oxygen Sensor R-17VAN for Vandagraph Analyzer | 4,830  |
| MVA0110429-EXT | Oxygen Sensor for MAXTEC-250E (OM-25ME/AE)    | 7,490  |
| MVA0110427-INT | Oxygen Sensor for MAXTEC-250+ (MAXO2+A Scuba) | 11,130 |
| MVA0131203     | Oxygen Sensor Cable - Yellow                  | 1,610  |
| MVA9711002     | B-50057 Flow Diverter Singles                 | 550    |

**Maxtec OX Analyzers**

|              |  |       |
|--------------|--|-------|
| MR207P17     | Barbed Adapter with Tubing                       | 800   |
| MR217P06-002 | Case MaxO2+ Top cool Grey                        | 565   |
| MR217P09-002 | Overlay MaxO2+ Scuba Mylar Film                  | 1,865 |
| MR218P19     | OxyKnob, Scuba Adaptor                           | 1,865 |
| MRP11P28     | BC Adapter                                       | 1,865 |
| XA11.452     | Oxy Spy Sensor                                   | 4,565 |
| OX-SNSR      | OMS Analyzer O2 Fuel Cell (New replacement cell) | 6,115 |

|        |                                       |     |
|--------|---------------------------------------|-----|
| M99997 | Oxygen Sticker for Tank (10cm x 25cm) | 90  |
| M99998 | Oxygen clean sticker (6cm x 6cm)      | 23  |
| M99999 | Nitrox Sticker for Tank (16cm x 60cm) | 135 |

## FIRST AID &amp; OXYGEN KITS

|          |  |        |
|----------|--|--------|
| MO2Kit-1 | Oxygen Field Kit including:<br>1 Pin-Index pressure reducer, 1 demand valve w. hose, 1 Pin-Index/DIN Adaptor,<br>1 DIN/Bullnose Adapter, 1 pocket mask, 1 constant flow mask w. reservoir, 1 transport bag | ***    |
| MO2Kit-2 | Oxygen Field Kit including:<br>1 O2 tank (2.9L), 1 Pin-Index pressure reducer, 1 constant flow mask w.<br>reservoir, 1 Pin-Index/Bullnose (CGA 540) Adaptor, 1 transport bag                               | ***    |
| MO2Reg1  | Oxygen Regulator 1st Stage, Pin-index, 0-25LPM   | 2,380  |
| MO2RegW  | Brass/Viton Washer for Oxy Reg   | 85     |
| MO2FILL  | Pin-Index to CGA 540 Adaptor   | 1,315  |
| SAA08    | DIN to Pin-Index Adaptor, Saekodive  | 4,670  |
| DA1016   | Laerdal Little Anne Manikin  | 29,985 |
| DA20300  | Laerdal Airway Complete, Little Anne   | 570    |
| DA310210 | Laerdal Face Skin for Little Anne, Pack of 6   | 12,900 |
| DA310211 | Laerdal Face Skin for Little Anne, 1 only  | 3,790  |
| DA1015   | Non-rebreather mask  | 525    |
| SAR10    | CPR Pocket size Resuscitator Mask (L)  | 515    |
| SAR20    | CPR Pocket size Resuscitator Mask (S) w/Key Ring   | 225    |

## LIFE VESTS

|            |   |     |
|------------|---|-----|
| DBJ02      | Life Jacket Adult, Thai Govt. appr. with collar, 1 size, fits S to 2XL            | 590 |
| DBJ03      | Life Jacket Adult, SEAMASTER STD, TH Gov. appr. w/o collar, 1 size, fits S to 2XL | 490 |
| DBL309-XS  | Lifevest Junior XS  | 560 |
| DBL309-S   | Lifevest Junior S   | 560 |
| DBL302-M   | Lifevest Adult M  | 690 |
| DBL302-L   | Lifevest Adult L  | 690 |
| DBL302-XL  | Lifevest Adult XL   | 840 |
| DBL302-XXL | Lifevest Adult 2XL  | 840 |
| DBLSTRAP-A | Crotch Strap for Lifevest, fits XS, S, M, L                                       | 140 |
| DBLSTRAP-B | Crotch Strap for Lifevest, fits XL, 2XL   | 155 |

## SIGNALLING DEVICES

|            |  |         |
|------------|--|---------|
| UAH150-01  | Sub Alert, standard fitting (surface and U/W)                  | 2,345   |
| UAH380-01  | Duo Alert (Surface&Underwater) Standard Fitting                | 2,735   |
| SAW11      | Whistle standard   | 45      |
| TD611      | Wind Storm whistle - K, O, Y                                   | 670     |
| TDA14      | SOS Boaters Whistle, Orange                                    | 360     |
| DBYWH001   | Deep Blue SOS Whistle, Pi, Y                                   | 180     |
| TTA20      | Tank Banger - G, K, Pi, Y                                      | 310     |
| DB6700     | U/W-Rattler, Aluminium - B, K, R, Y                            | 585     |
| SAT27      | Scuba Rattle   | NEW 935 |
| SAT29      | Underwater Pointer, Stainless Steel                            | 535     |
| DBYP001    | Underwater Pointer, Aluminium, G, Gy, K, Pi, Pu, W, Y          | 580     |
| SAL11SS-FY | Saekodive U/W Laser Pointer, Magnetic spring switch, 2 AA - FY | 1,605   |
| SAL73      | LED Flash Light (Strobe Light) Green                           | 400     |
| TDL27      | Underwater Kinetics Beacon, cyalume light, 2 x AAA             | 2,600   |

## SURFACE MARKERS, FLOATS &amp; BUOYS

|             |  |       |
|-------------|--|-------|
| DB6690      | Safety Balloon, 2m long  | 350   |
| DB6691      | Safety Balloon with Bag  | 490   |
| DBS30       | Diver Surface Float yellow w. flag   | 950   |
| DBSM01      | Deep Blue Pocket Dive Marker   | 1,265 |
| DBSM02      | Deep Blue Dive Marker with Webbing & Bag                                       | 2,385 |
| DBSM03      | Deep Blue Webbing Strap for Dive Marker  | 1,025 |
| DBSM04      | Deep Blue Dive Marker without Webbing  | 1,360 |
| X40.312.001 | Scubapro SMB 210D Nylon, 140cm x 18cm (4.5 ft) open end, Orange                | 3,305 |
| X40.316.000 | Scubapro SMB 210D Nylon, 180cm x 18cm (6 ft) open end, Orange                  | 3,535 |
| SB02        | Saekodive Survival Sausage (no Pouch), 13cm dia x 114cm L                      | 1,495 |
| DBYSMB1     | Deep Blue Dive Marker (no Pouch), 180cm x 18cm (6 ft), dump, open end - Pi, FY | 2,690 |

**SURFACE MARKERS, FLOATS & BUOYS (Continued)**

|           |   |       |
|-----------|---|-------|
| SB06      | Saekodive Survival Sausage w. Pouch, 15cm dia x 180cm L     | 3,240 |
| DBYFB005  | Deep Blue inflatable surface/rescue float, 70cm             | 6,550 |
| DBYFB005B | Bladder for Deep Blue inflatable surface/rescue float, 70cm | 2,785 |

**LOG BOOKS, LOG INSERTS & GUIDE BOOKS**

|          |   |     |
|----------|---|-----|
| DB8005   | Cordura Log Binder "Dive Log" incl. 3 sets logbook pages            | 550 |
| DB8005-C | Cordura Log Binder ".....your logo....." Binder only, add logo cost | 550 |
| DB8006   | Cordura Log Binder "Dive now...work later"                          | 550 |
| DB8007   | Cordura Log Binder "Born to dive...forced to work"                  | 550 |
| DBS9010  | Divers Logbook 12 x 15cm  | 100 |
| DBS9011  | Divers Logbook 14.5 x 20.5cm  | 120 |
| DBS9020  | Logbinder Inserts "Logpage"   | 80  |

**MARINE BOOKS & FISH - ID SLATES**

|        |  |                        |
|--------|--|------------------------|
| KP107  | Indian Ocean Marine PictoLife book; Eng, Fre, Ger, Ita, Spa        | 990                    |
| KP109  | West. Trop. Pacific Marine PictoLife book; Eng, Fre, Ger, Ita, Spa | 990                    |
| KP113  | Asia Pacific Marine PictoLife book; Chi, Jap, Kor, Tha, Rus        | 990                    |
| K1105  | Indian Ocean Reefguide (E)   | 1,990                  |
| KBD13  | Ultimate Dive Guide Koh Tao  | <b>New Version</b> 695 |
| M21001 | Fish Card - Fish & Nudibranchs                                     | 250                    |
| M21002 | Fish Card - Fish & Corals  | 250                    |

**OTHER SLATES**

|         |   |                  |
|---------|---|------------------|
| DBWR1   | Slate w. quick connector & pencil 15cm x 13cm | 300              |
| SAW13   | Slate A4 Size                                 | 625              |
| SAW15   | 3 Page Wrist Slate                            | 790              |
| TSL05   | Quest Magnetic Slate                          | 3,750            |
| TSL15   | Fold open double Slate with Pencil            | <b>NEW</b> 2,190 |
| TSL19-Y | Slate & Graphite Pencil                       | 1,750            |
| TSL13   | Super Pencil - Black                          | 990              |

**MOUTHPIECES & MOUTHPIECE HOLDERS**

|             |  |                |
|-------------|--|----------------|
| DBZ1463S    | Deep Blue Mouthpiece for Regulator, Clear Silicone w. Dots | 90             |
| DBZ1463KS   | Deep Blue Mouthpiece for Regulator, Black Silicone w. Dots | 120            |
| S1063       | Mouthpiece Rubber  | 95             |
| S1063KS     | Mouthpiece Black Silicone                                  | 170            |
| S1063Col    | Mouthpiece Silicone - B, O, Pi, Y                          | <b>NEW</b> 170 |
| S1163S      | Mouthpiece Clear Silicone w/Bridge                         | 170            |
| S1163KS     | Mouthpiece Black Silicone w/Bridge                         | 170            |
| S1363S      | Mouthpiece Clear Silicone, Small Size                      | 145            |
| S1563S      | Mouthpiece Clear Silicone long bite                        | 205            |
| S1563KS     | Mouthpiece Black Silicone long bite                        | 205            |
| S1663KS-O   | Mouthpiece Silicone Black/Orange                           | 190            |
| S1663KS-Y   | Mouthpiece Silicone Black/Yellow                           | 190            |
| S1763       | Moldable Mouthpiece - Silicone - Clear                     | 745            |
| S1863       | Moldable Mouthpiece - Silicone - BT, C, K, PT, YT, W       | 555            |
| SAM02       | Mouthpiece cover round - G, Y                              | 155            |
| SAM050      | Mouthpiece holder for Comfi-Bite - O                       | 125            |
| X01.040.051 | Mouthpiece Scubapro, Silicone Supercomfort                 | 700            |
| X01.040.120 | Mouthpiece Scubapro, Silicone Supercomfort, black          | 530            |
| X01.040.131 | Mouthpiece Scubapro, Vinyl (extra durable)                 | 280            |
| X01.040.216 | Mouthpiece BPI, Grey                                       | 210            |
| X01.040.133 | Mouthpiece Air2, 4th Generation                            | 280            |
| X01.040.090 | Mouthpiece Air2, 5th Generation                            | 230            |
| X01.040.123 | Junior Mouthpiece (for Kids Regulators)                    | 650            |
| X01.040.025 | Reusable Clip Scubapro                                     | 335            |
| X01.040.026 | Reusable Clip Scubapro, Light                              | 210            |
| M97         | Cabletie 4.8mm x 250mm, Pack of 100 pcs.                   | 740            |
| M99         | Cabletie 3.5mm x 150mm, Pack of 100 pcs.                   | 285            |
| TSA83       | Tie strap installation gun                                 | 4,995          |



**MASK STRAPS & MASK STRAP COVERS****DEEP BLUE**

|          |  |     |
|----------|--|-----|
| DB6688   | Neoprene Mask Strap with Velcro strap (w/o Print) KK, KB, KR, KY | 190 |
| DB6688-1 | Neoprene Mask Strap with Velcro strap (with Print) KB, KR, KY    | 195 |
| DB6689   | Neoprene Maskstrap Cover (w/o Print) - KK, KB, KY                | 190 |
| DB6689-1 | Neoprene Maskstrap Cover (with Print) - KK, KB, KY               | 195 |
| DBZ30    | Mask Strap 16mm Clear Silicone for UNO Mask                      | 150 |
| DBZ31    | Mask Strap 16mm Black Silicone for COVERT Mask                   | 150 |
| DBZ32    | Mask Strap 16mm Black Silicone for BALI Mask                     | 165 |
| DBZ33-C  | Mask Strap 22mm Clear Silicone for BORA Mask                     | 180 |
| DBZ33-KS | Mask Strap 22mm Black Silicone for BORA Mask                     | 180 |

**SCUBAPRO & SUBGEAR**

|             |  |       |
|-------------|--|-------|
| X24.730.060 | Scubapro Comfort Strap - Black Logo on Black                           | 1,380 |
| X24.730.0x0 | Scubapro Comfort Strap - B, K, K/Y, Pi/Pu, Tq                          | 1,230 |
| X24.700.xx0 | Mask Strap Cover Neoprene 2.5mm - Black with B, Gy, K, O, Pi, Pu, W, Y | 665   |
| X24.835.104 | Mask Strap w/Logo 22mm Black   | 460   |
| X24.845.10x | Mask Strap 16mm Black Clear or Black (Crystal Vu/Solo)                 | 355   |

**SEAC**

|            |                                     |     |
|------------|-------------------------------------|-----|
| BZSTRAP1-K | Mask Strap for lena, 16.5 mm, Black | 525 |
|------------|-------------------------------------|-----|

**SAEKODIVE**

|          |  |         |
|----------|--|---------|
| S1072    | Mask Strap 20mm - Rubber                       | 150     |
| S1073S   | Mask Strap 20mm - Silicone, Clear, Black       | 210     |
| S1073Col | Mask Strap 20mm - Silicone - Pi, O, Y, B       | NEW 245 |
| S1074S   | Mask Strap 20mm Clear Silicone for Mask SMM107 | 210     |
| S1074KS  | Mask Strap 20mm Black Silicone for Mask SMM107 | 210     |
| S1079S   | Mask Strap 17mm Clear Silicone for Mask SMM105 | 185     |
| S1079KS  | Mask Strap 17mm Black Silicone for Mask SMM105 | 185     |

**MASK STRAP RETAINERS**

|             |  |               |
|-------------|--|---------------|
| DBZ01-K     | Mask Strap Retainer for 22mm Strap - Black | 20            |
| SHLT        | Mask Strap Retainer                        | 20            |
| X26.021.002 | Quick Clip Assembly Scubapro               | Promotion 140 |

**MASK BUCKLES & OTHER MASK PARTS****DEEP BLUE**

|            |   |     |
|------------|---|-----|
| DBZ06      | BORA Mask Buckle, 1 piece for 1 side only (L or R)                        | 50  |
| DBZ06-QR   | BORA PLUS Mask Buckle Quick-Release, 1 pair (L & R) - Black               | 100 |
| DBZ06-QR-O | BORA PLUS Mask Buckle Quick-Release, 1 pair (L & R) - Orange              | 100 |
| DBZ19      | BORA PLUS Roller pin for mask buckle, 1 pce                               | 15  |
| DBZ07      | FIJI Quick-Rel. Mask Buckle & Housing, pair, 6 pce (L & R)                | 130 |
| DBZ12-K    | FIJI Mask Buckle (w/o housing), pair, 2 pce (L & R)                       | 65  |
| DBZ12-O    | CORAL Mask buckle (w/o housing), pair (L & R)                             | 65  |
| DBZ14      | ANDAMAN Mask Buckle, pair, 6 pce (L & R)                                  | 95  |
| DBZ15      | NEW BALI: Mask Buckle, single, 2 pce asy (5 pcs) for 1 side only (L or R) | 70  |
| DBZ16      | HAWAII, MAKO Mask Buckle for 16mm Strap, single, 1 pce (L or R)           | 35  |
| DBZ17      | COVERT MC24, Mask buckle, pair, 4 pce per side (L & R)                    | 140 |
| DBZ18      | UNO MC25, Mask buckle, pair, 5 pce per side (L & R)                       | 140 |
| DBZ22      | ACCENT MG01, Mask buckle, pair (L & R)                                    | 95  |

**SCUBAPRO & SUBGEAR**

|             |  |     |
|-------------|--|-----|
| X24.855.00x | Crystal Vu Mask (new model) Buckle set, (L+R) Clear or Black         | 525 |
| X24.999.102 | Clear Vu2, Crystal Vu (orig. model) Buckle, single (for 1 side only) | 115 |
| X24.847.00x | Spectra, Trinidad: Mask Buckle set, (L+R) Clear or Black             | 525 |
| X24.080.002 | Frameless Mask Buckle Set (L+R)                                      | 440 |
| X24.865.103 | Synergy Twin Mask Buckle set, (L+R)                                  | 300 |
| X24.592.101 | Fino Mask Buckle set, (L+R)  | 300 |

**MASK BUCKLES & OTHER MASK PARTS (Continued)****SAEKODIVE**

|               |  |     |
|---------------|--|-----|
| S083          | Runner Mask Buckle w. Pin, single, per side (L or R) - Black, Clear          | 60  |
| S1083-1       | Skirt for Runner Mask - Black  | 500 |
| S1083-2       | Skirt for Runner Mask - Clear  | 500 |
| S1083-3       | Frame for Runner Mask - Black, T,Blue, Yellow                                | 400 |
| S1083-4       | Inner Rim for Runner Mask - Black  | 60  |
| SMM107-Buckle | Frameless SMM107: Mask Buckle complete incl. Pins, single, per side (L or R) | 110 |
| SMM107-Pin    | Frameless SMM107: Small Metal Pin for buckle, single                         | 35  |

**SNORKEL MOUTHPIECES & SNORKEL PARTS****DEEP BLUE**

|         |   |     |
|---------|---|-----|
| DBZ03-C | Mouthpiece for J Snorkel, Silicone, Clear                     | 95  |
| DBZ02-K | Mouthpiece for J Snorkel, Silicone, Black                     | 115 |
| DBZ04-C | Mouthpiece for MANTA/SHARKY/STINGRAY Snorkel, PVC, Clear      | 50  |
| DBZ04-K | Mouthpiece for MANTA/SHARKY/STINGRAY Snorkel, PVC, Black      | 50  |
| DBZ05-C | Mouthpiece for MANTA/SHARKY/STINGRAY Snorkel, Silicone, Clear | 110 |
| DBZ09-K | Mouthpiece for COVERT Snorkel, Silicone, Black                | 120 |
| DBZ08   | Snorkel Retainer Plastic, Black                               | 30  |
| DBZ20   | Snorkel Holder Silicone, Black or Clear                       | 30  |
| DBZ13   | Exhaust Valve, for MANTA Snorkel, Silicone, Clear             | 20  |
| DBZ21   | Snorkel Corrugated Hose, Silicone, Black                      | 150 |

**SCUBAPRO**

|             |   |     |
|-------------|---|-----|
| X01.040.705 | Mouthpiece Scubapro, Escape Snorkel, Silicone Clear | 195 |
|-------------|---|-----|

**SAEKODIVE**

|         |  |     |
|---------|--|-----|
| S1052MS | Snorkel mouthpiece 1052, Silicone, Clear | 200 |
| S1052MR | Snorkel mouthpiece 1052, Rubber, Black   | 135 |
| S1052MP | Snorkel Mouthpiece 1052, PVC, Clear      | 60  |
| S1060   | Snorkel holder Plastic, Black            | 50  |
| S1055   | Snorkel Valve Membrane, Silicone         | 20  |

**FIN STRAPS, BUCKLES & Other FIN PARTS****DEEP BLUE**

|              |  |     |
|--------------|--|-----|
| DBF770STRAP  | Fin Strap for SF770                            | 85  |
| DBF770BUCKLE | Fin Buckle for SF770                           | 90  |
| DBF770Kit    | Strap Kit for F770 Fin (1 Strap, 2 Buckles)    | 235 |
| DBZ52        | Fin Strap Kit for Speed3 (1 Strap & 2 Buckles) | 200 |

**SCUBAPRO**

|             |  |       |
|-------------|--|-------|
| X25.378.005 | Jet Fin - Rubber Strap - Black (pair)          | 1,855 |
| X01.080.001 | Jet Fin - Metal Buckle, single (US made)       | 160   |
| X25.378.025 | Jet Fin - Buckle Set for rubber strap (pair)   | 1,350 |
| X01.075.119 | Twin Jet - Metal Pin                           | 160   |
| X25.878.101 | Strap Buckle Assy - Jet Sport Fins XS / S      | 660   |
| X25.878.103 | Strap Buckle Assy - Jet Sport Fins MS / L / XL | 660   |

**SEAC**

|         |  |     |
|---------|--|-----|
| BZ07001 | SPRINT Fin Strap SEAC, 1 pce, XXS/S                                    | 470 |
| BZ07002 | SPRINT Fin Strap SEAC, 1 pce, S/XL                                     | 470 |
| BZ512   | PROPULSION/VELA Fin Strap SEAC   | 590 |
| B730023 | Sling Strap, size S, for Propulsion fins size S/M (per strap)          | 690 |
| B730024 | Sling Strap, size R, for Propulsion fins size M/L and L/XL (per strap) | 690 |

**SAEKODIVE**

|        |   |       |
|--------|---|-------|
| S271   | Quick release Fin Buckle - Black/ 1 Piece                       | 135   |
| S1075  | Fin Strap, Rubber / 1 Piece                                     | 220   |
| SA004A | Fin Strap Jet Fin "Saekodive" / 1 Piece                         | 210   |
| S1775  | EZ Spring Fins Strap w. Buckles / Pair Saekodive, S, M, L, XL   | 1,370 |
| S1875  | EZ Spring Fins Strap w. Clip / Pair Saekodive, S,M,L,XL - Black | 1,165 |

**SUNGLASS & EYEWEAR STRAPS**

|         |  |     |
|---------|--|-----|
| TDA03-1 | NECKZ Latex Eyewear Strap, K, O, Pi    | 205 |
| TDA03-6 | NECKZ Latex Eyewear 6 Straps, K, O, Pi | *** |
| TDA93-1 | Eyeglass Holder Strap                  | 220 |

**WATCH & WRIST STRAPS**

|       |  |       |
|-------|--|-------|
| TWA53 | Australian Outback Safety Watch Strap; 20mm, 22mm, 24 mm | 1,075 |
|-------|--|-------|

**KNIFE STRAPS**

|         |                                    |     |
|---------|------------------------------------|-----|
| S1077   | Knife Strap - Rubber               | 195 |
| S1077-2 | Quick Release Knife Strap - Rubber | 215 |
| TKN02   | Knife Strap with Spring Buckle     | 450 |

**MASK BOX**

|      |                  |    |
|------|------------------|----|
| DBS1 | Plastic Mask Box | 90 |
|------|------------------|----|

**CLIPS, HOOKS, COILS ETC.**

|           |   |                   |
|-----------|---|-------------------|
| S4002-95  | Brass Clip small hook, S                            | 320               |
| S4003-88  | Brass Clip small ring, S                            | 270               |
| S4002-120 | Brass Clip large hook, L, 120mm                     | 425               |
| S4003-120 | Brass Clip large ring, L, 120mm                     | 430               |
| SAC01A    | Equip. Connector - Female end & Looped end          | <b>Reduced</b> 95 |
| SAC01B    | Equip. Connector - Swivel plastic hook & Looped end | 160               |
| SAC01D    | Equip. Connector - Octopus Holder, FY, K            | 235               |
| SAC01E    | Equip. Connector - Fin Holder                       | 230               |
| SAC06     | Magnetic Octopus Holder                             | 765               |
| SAC06A    | Non-Magnetic Octopus Holder                         | 690               |
| SAS12DF-5 | Snap Hook Aluminium 50mm length                     | 70                |
| SAS12DF-6 | Snap Hook Aluminium 60mm length                     | 77                |
| SAS12DF-7 | Snap Hook Aluminium 70mm length                     | 95                |
| SAS12DF-8 | Snap Hook Aluminium 80mm length                     | 115               |
| S2450-80  | Snap Hook Stainless Steel 80mm length               | 385               |
| SS243-6   | Stainless Steel Spring Hook 60mm length             | 240               |
| SS243-8   | Stainless Steel Spring Hook 80mm length             | 365               |
| SS161-90  | Double ended snap hook, 304 Stainless, 90mm         | 445               |
| SS162-100 | Double ended snap hook, 304 Stainless, 100mm        | 525               |
| SS163-115 | Double ended snap hook, 304 Stainless, 115mm        | 545               |
| SS225-92  | Swivel bolt snap, 304 Stainless, 92mm               | 425               |
| SAL21     | Lanyard Saeko                                       | 95                |
| TRP08     | Deluxe Stretch Lanyard                              | 355               |
| TRP09     | Camera Lanyard w/brass clip                         | 970               |
| TDF82     | Reef Drift Diver J-Hook                             | 1,080             |
| SAR0-2    | Key Ring Stainless Steel                            | 25                |

**SEA SPRINGS**

|       |   |                      |
|-------|---|----------------------|
| THA83 | Sea Spring Retainer Expands from 9.5' to 18 ft (25cm) | <b>Promotion</b> 290 |
| THA84 | Sea Spring Retainer Expands from 13" to 23 ft (34cm)  | <b>Promotion</b> 290 |

**RETRACTORS, REELS ETC.**

|        |                       |     |
|--------|-----------------------|-----|
| SAR0   | Retractor - coil snap | 590 |
| SAR03A | Retractor - auto lock | 835 |
| SAR03C | Retractor 3m          | 960 |
| SAR13A | Small Retractor       | 650 |
| SAR13C | Small Retractor       | 635 |

**RETRACTORS, REELS ETC. (Continued)**

|             |  |       |
|-------------|--|-------|
| SAR07       | Regulator Necklace   | 350   |
| SAR08       | Quick Release Coil Lanyard - B, K                                    | 650   |
| SAR09       | Cable Wire Coil Lanyard  | 860   |
| DBSR-01     | Secure Spring Rope - W, R, Tu, B, P                                  | 790   |
| SAR26       | Finger Reel Small, 15m, reel K, line White, w.SS bolt snap           | 620   |
| SAR26-O/Y   | Finger Reel Small, 15m, reel O, line Yellow, w.SS bolt snap          | 660   |
| SAR26-Y/O   | Finger Reel Small, 15m, reel Y, line Orange, w.SS bolt snap          | 660   |
| DBYAR01-SS  | Finger Reel Stainles Steel, 15m, w.SS bolt snap                      | 1,125 |
| DBYAR01     | Finger Reel Aluminium - B/Pi/R, 15m flat line, w.SS bolt snap        | 1,225 |
| SAR16       | Finger Reel Medium, 30m, reel K, line White, w.SS bolt snap          | 675   |
| SAR16-O/Y   | Finger Reel Medium, 30m, reel O, line Yellow, w.SS bolt snap         | 770   |
| SAR16-Y/O   | Finger Reel Medium, 30m, reel Y, line Orange, w.SS bolt snap         | 770   |
| SAR16S-O    | Finger Reel Medium, 30m, Stainless reel, line Orange, w.SS bolt snap | 1,180 |
| SAR16S-Y    | Finger Reel Medium, 30m, Stainless reel, line Yellow, w.SS bolt snap | 1,180 |
| DBYAR02     | Finger Reel Aluminium - B/Pi/R, 30m flat line, w.SS bolt snap        | 1,320 |
| SAR06       | Finger Reel Large, 45m, reel K, line White, w.SS bolt snap           | 730   |
| SAR06-O/Y   | Finger Reel Large, 45m, reel O, line Yellow, w.SS bolt snap          | 870   |
| SAR06-Y/O   | Finger Reel Large, 45m, reel Y, line Orange, w.SS bolt snap          | 870   |
| SAR05       | Wreck Reel w. auto stop 83m  | 2,130 |
| SAR14       | Wreck Reel 45meter   | 2,145 |
| SAR15       | Wreck Reel w. auto stop 45m  | 1,985 |
| X40.122.000 | Reel Multifunction, Scubapro, w. 80m line                            | 6,250 |

**BACKPACKS, INFLATORS, BCD HOSES, ETC.**

|          |   |       |
|----------|---|-------|
| UTP201   | Tank Pack complete                          | 2,560 |
| SAK04PIN | Power Inflator w.Pin (fits SubGear)         | 2,090 |
| UPI201   | Power Inflator w. blue button               | 1,885 |
| UOV181   | BCD Over Pressure Device, 54mm OD           | 1,320 |
| UCL201   | Cam Lock                                    | 365   |
| S91034   | Saekodive BCD Over Pressure Device, 54mm OD | 695   |
| UOPB70   | Pull Ball for Dump Valve                    | 130   |
| SAK04-8  | Saekodive Nipple for Inflator               | 235   |
| MA59     | Schrader Valve for Inflator                 | 29    |

**SCUBAPRO**

|             |   |        |
|-------------|---|--------|
| X21.703.x03 | Bladder, T-One - XXS to 2XL                                       | 10,950 |
| X20.135.005 | Super Chinch Tank band Assy., metal                               | 2,400  |
| X01.030.115 | Hose, corrugated 14", S'pro Ladyhawk,Nighthawk,Plus,Accent,Propac | 720    |
| X01.030.114 | Hose, corrugated 16", Scubapro Classic Plus/Unlimited BCD         | 820    |

**SEAC**

|        |   |       |
|--------|---|-------|
| B75020 | Corrugated Hose Seac                        | 2,530 |
| B75038 | Complete Quick Exhaust Unit                 | 3,975 |
| B75040 | Complete Inflator Unit with corrugated hose | 7,755 |
| B77454 | Piston Power Inflator Unit Seac             | 3,420 |
| B55006 | Overpressure Valve Seac                     | 2,005 |

**BCD BUCKLES**

|         |                    |     |
|---------|--------------------|-----|
| BS75073 | Buckle Male 40mm   | 205 |
| BS75075 | Buckle Male 50mm   | 205 |
| BS75076 | Buckle Female 50mm | 265 |
| BS75106 | Buckle Male 25mm   | 140 |



**WEIGHTBELTS ETC.**

|             |   |       |
|-------------|---|-------|
| S4001       | Weightbelt Buckle plastic - K, Y                            | 175   |
| UBK304      | Weightbelt Buckle stainless steel, 3 slots                  | 290   |
| UBK504      | DeLuxe Weightbelt Buckle stainless steel, 3 slots           | 350   |
| M1998       | Roll of Weightbelt webbing (50m) - B, K, Y                  | 3,250 |
| M1999-1.    | Weightbelt webbing 1 meter - B, K, Y                        | 75    |
| M1999-1.4   | Weightbelt webbing 1.4 meter - B, K, Y                      | 100   |
| M1999+Buc   | Weightbelt 1.4m with Stainless Buckle - B, K, Y             | 390   |
| X23.029.100 | Weightbelt Scubapro, with stainless Buckle - Black          | 1,680 |
| X23.030.100 | Weightbelt Scubapro, with nylon Buckle - Black              | 1,370 |
| SAW02       | Weightbelt Saekodive with stainless buckle, 1.45m - B, K, Y | 715   |
| DB5000      | Soft Weightbelt Deep Blue, 3-pocket, w/o buckle - Black     | 590   |
| DB5001      | Soft Weightbelt Deep Blue, 4-pocket, w/o buckle - Black     | 640   |
| B198        | Rubber Weightbelt SEAC, with nylon buckle, 1.3m             | 970   |
| SAW03       | Weightbelt keeper, plastic                                  | 30    |
| SAW06       | Weightbelt keeper, stainless                                | 86    |
| SAW07       | Weightbelt keeper, stainless, corrugated edge               | 90    |
| SS928       | D-Ring, stainless, 6mm/50mm for weightbelt                  | 200   |
| SS929B      | D-Ring, Bent, stainless, 6mm/50mm for weightbelt            | 220   |
| SS934       | D-Ring, stainless, 5mm/50mm for weightbelt                  | 200   |
| SS934B      | D-Ring, Bent, stainless, 5mm/50mm for weightbelt            | 215   |
| SS103       | Weightbelt keeper with D-Ring, stainless                    | 315   |

**WEIGHTS**

|           |                                |     |
|-----------|--------------------------------|-----|
| M6000-SRD | Round Weight for Belt 800g.    | 250 |
| M6000-BRD | Round Weight for Belt 1,500g.  | 460 |
| M6000-SSQ | Square Weight for Belt 800g.   | 250 |
| M6000-BSQ | Square Weight for Belt 1,500g. | 460 |

**LUBRICANTS**

|         |  |                |
|---------|--|----------------|
| TLP22   | Zipper Lube Stick for Zippers exposed to Salt/Chlorine | 330            |
| DBSY1   | Cristo Lube, in preloaded syringe                      | 390            |
| TNT60   | Christo Lube 129 Container 7 gram / 1/4oz for Nitrox   | 1,125          |
| TNT72   | Christo Lube 129 Tube 60 gram / 2 oz for Nitrox        | 4,500          |
| SAS03   | Silicone Lube Container 15 gram / 1/2 oz               | 185            |
| SAS02   | Silicone Lube Container 30 gram / 1 oz                 | <b>NEW</b> 245 |
| SAS01   | Silicone Lube Container 60 gram / 2 oz                 | 435            |
| TLP27   | Silicone Lube Pump 227 gram / 8 oz                     | 1,065          |
| TSA66   | Silicone Lube Container 450 gram / 16 oz               | 4,740          |
| TNT79   | Valve Silicone & Sealant Container 2oz (60 gram)       | 1,420          |
| MOLY111 | Molykote 111 Grease, for cylinder threads              | 2,000          |

**LIQUIDS & CLEANING SOLUTIONS**

|            |  |                |
|------------|--|----------------|
| TFA20      | Dry Ear Solution for Swimmers/Divers Ear | 705            |
| TLP81      | Defog, 2oz. Bottle                       | 510            |
| TLP80      | Silicone Defog Spray 2oz.                | 935            |
| TLP75      | New Mask Cleaner 1oz.                    | 565            |
| SA04       | Anti-Fog Solution (rub on)               | <b>NEW</b> 315 |
| TSA65-500  | Ultrasonic Solution (0.5 kg)             | ***            |
| TSA65-1000 | Ultrasonic Solution (1 kg)               | ***            |

**MISCELLANEOUS - REGULATOR ACCESSORIES**

|          |                                 |       |
|----------|---------------------------------|-------|
| SAS16    | 360 Degree swivel for Regulator | 2,090 |
| WMDAB-05 | LP 90deg. Adapter               | 1,585 |
| WMDAB-07 | LP 110deg. Adapter              | 1,585 |
| SAD02    | Dust Cap plastic, first stage   | 115   |

**MISCELLANEOUS - REGULATOR ACCESSORIES (Continued)**

|             |                                    |       |
|-------------|------------------------------------|-------|
| SAD01       | Dust Cap rubber, first stage       | 115   |
| TA140       | Delrin machined DIN plug 1st Stage | 995   |
| TA143       | Delrin Cap DIN 200 Bar             | 1,210 |
| X10.101.211 | Dust Cap Scubapro DIN first stage  | 255   |
| X10.101.212 | Dust Cap Scubapro INT first stage  | 255   |
| BS2011      | DIN Protection Cap Seac            | 1,185 |
| S4007       | Regulator Inspection Hose Sleeve   | 125   |

**HOSES ETC.****Regulator Kit + Hookah**

|         |  |            |        |
|---------|--|------------|--------|
| DBHOK02 | Kit Hookah w. Scubapro MK2Evo/R095 Regulator Set, Mini-SPG - 10m | <b>NEW</b> | 18,570 |
| DBHOK01 | Kit Hookah w. Scubapro MK2Evo/R095 Regulator Set, Mini-SPG - 15m | <b>NEW</b> | 19,860 |
| DBHOK03 | Kit Hookah w. Scubapro MK2Evo/R095 Regulator Set, Mini-SPG - 20m | <b>NEW</b> | 22,900 |

**Low Pressure Hoses**

|             |  |            |       |
|-------------|--|------------|-------|
| SAH03-K-75  | DB LP 2nd Stage Hose, 75cm - Black                             | 750        |       |
| SAH03-K-150 | DB LP 2nd Stage Hose, 150cm - Black                            | 1,110      |       |
| SAH03-K-210 | DB LP 2nd Stage Hose, 210cm - Black                            | 1,185      |       |
| SAH03-Y-10M | DB LP 2nd Stage Hose, 10 meter - Yellow                        | <b>NEW</b> | 5,690 |
| SAH03-Y-15M | DB LP 2nd Stage Hose, 15 meter - Yellow                        | <b>NEW</b> | 6,940 |
| SAH03-Y-20M | DB LP 2nd Stage Hose, 20 meter - Yellow                        | <b>NEW</b> | 9,875 |
| SAH03-K-95  | DB LP Octopus Hose, 95cm - Black                               | 735        |       |
| SAH03-Y-95  | DB LP Octopus Hose, 95cm - Yellow                              | 885        |       |
| SAH04-K-68  | DB LP Inflator Hose, 68cm - Black                              | 825        |       |
| SAH04-K-20  | DB LP Inflator Hose, 20cm - Black                              | 640        |       |
| ULP350-02   | DB LP Inflator Air 2 Hose, 60cm - Black (350psi/23.8Bar)       | 1,035      |       |
| X01.310.026 | Scubapro LP 2nd Stage Hose, 65cm                               | 1,920      |       |
| X01.309.040 | Scubapro LP 2nd Stage Hose, 75cm                               | 2,095      |       |
| X01.310.027 | Scubapro LP Inflator Hose w/Quick connector                    | 2,315      |       |
| X01.309.020 | Scubapro LP Hose w. female quick fitting, 20cm (for sidemount) | 2,050      |       |
| X01.309.080 | Scubapro LP Hose, Superflow, 210cm                             | 3,065      |       |
| X01.310.040 | Scubapro LP Octopus Hose, 100cm - Black                        | 2,270      |       |
| X01.310.039 | Scubapro LP Octopus Hose, 100cm -Yellow                        | 2,445      |       |

**Low Pressure Flex Hoses**

|              |   |            |       |
|--------------|---|------------|-------|
| SAH03-K-68   | DB LP Flex 2nd Stage Hose, 68cm - Black             | <b>NEW</b> | 1,095 |
| SAH03-COL-68 | DB LP Flex 2nd Stage Hose, 68cm - B, FY, G, Pi, Whi | <b>NEW</b> | 1,095 |
| SAH03-K-90   | DB LP Flex Octopus Hose, 90cm - Black               | <b>NEW</b> | 1,285 |
| SAH03-COL-90 | DB LP Flex Octopus Hose, 90cm - B, FY, G, Pi, Whi   | <b>NEW</b> | 1,285 |
| SAH04-K-60   | DB LP Flex Inflator Hose, 60cm - Black              | <b>NEW</b> | 1,240 |
| SAH04-COL-60 | DB LP Flex Inflator Hose, 60cm - B, FY, G, Pi, Whi  | <b>NEW</b> | 1,240 |

**High Pressure Hoses**

|             |  |       |
|-------------|--|-------|
| DBT30017-01 | Deep Blue HP Hose (made in Italy) 6" / 15cm, dia 10.8mm  | 1,250 |
| DBT30016-01 | Deep Blue HP Hose (made in Italy) 32" / 80cm, dia 10.8mm | 1,590 |
| X05.004.060 | Scubapro HP Hose 60cm                                    | 2,845 |
| X01.044.031 | Scubapro HP Hose 80cm, dia 10.8mm                        | 2,710 |
| X05.003.090 | Scubapro HP Hose w. Quick Connector, 90cm                | 4,300 |

**High Pressure Flex Hoses**

|            |                                    |            |       |
|------------|------------------------------------|------------|-------|
| F100019631 | MIFlex HP Hose 33" / 83cm, dia 8mm | 1,735      |       |
| SAH63-K-90 | DB HP Flex Hose, 36" / 90cm        | <b>NEW</b> | 1,895 |
| SAH63-K-75 | DB HP Flex Hose, 30" / 75cm        | <b>NEW</b> | 1,775 |
| SAH63-K-15 | DB HP Flex Hose, 6" / 15cm         | <b>NEW</b> | 1,300 |

|            |   |     |
|------------|---|-----|
| DB20070-07 | Hose Protector Standard - Deep Blue - K, Y        | 90  |
| S4004      | Hose Protector Saekodive large diameter - B, K, Y | 90  |
| SAH01      | Hose Clamp Saekodive - K, Y                       | 79  |
| SAH09      | Hose clamp for 2 different hose sizes - B, K, Y   | 110 |
| SAH02      | Hose Wrap Saekodive - B, G, Y                     | 145 |

**HOSES ETC. (Continued)****High Pressure Flex Hoses**

|             |  |       |
|-------------|--|-------|
| SAH23       | Ergonomic Swivel Hose Clip Saekodive - Black             | 245   |
| DBYPC001    | Ergonomic Swivel Hose Clip Deep Blue - K, O, Pi, R, W, Y | 215   |
| UHH07       | Double Hose Clip - K, Pi, Y                              | 70    |
| X11.700.010 | Hose Protector Scubapro - Black                          | 200   |
| X11.700.050 | Hose Protector Scubapro - Green                          | 180   |
| X11.700.018 | Hose Protector Scubapro - White                          | 285   |
| X11.700.223 | Hose Protector Scubapro - Hydros Blue                    | 285   |
| X11.700.225 | Hose Protector Scubapro - Hydros Yellow                  | 285   |
| X11.700.226 | Hose Protector Scubapro - Hydros Orange                  | 285   |
| X11.700.227 | Hose Protector Scubapro - Hydros Pink                    | 285   |
| X01.040.019 | Mouthpiece & Hose protector kit - Purple                 | 1,160 |
| X01.040.080 | Mouthpiece & Hose protector kit - White                  | 1,160 |
| X01.040.330 | Mouthpiece & Hose protector kit - Hydros Blue            | 1,160 |
| X01.040.360 | Mouthpiece & Hose protector kit - Hydros Yellow          | 1,160 |
| X01.040.370 | Mouthpiece & Hose protector kit - Hydros Pink            | 1,160 |
| X01.040.390 | Mouthpiece & Hose protector kit - Hydros Orange          | 1,160 |
| X01.334.005 | HP-Hose Quick Connector Scubapro                         | 1,920 |

**HP SWIVELS**

|             |   |     |
|-------------|---|-----|
| F1000V5593  | Suunto HP-Swivel with O-rings                   | 215 |
| X06.203.548 | Scubapro HP-Swivel with O-rings, Uwatec/Subgear | 300 |
| X28.132.305 | Scubapro Swivel with 2x Viton O-rings           | 225 |
| DBT30019    | Deep Blue HP-Swivel with disc and Viton O-rings | 190 |

**TOOLS & VARIOUS WORKSHOP NEEDS**

|                |  |        |
|----------------|--|--------|
| S7402          | Multitool stainless steel with 12 Tools          | 950    |
| S7407          | Multitool stainless steel with 9 Tools           | 1,045  |
| SAS12K         | Saekodive Neoprene Glue, 90ml tube, Black        | 395    |
| MPA60          | Paint Marker - Black, Red, White, Yellow         | 230    |
| TS105          | Diver's Deluxe Tool Kit in zippered folder       | 3,195  |
| MJP030         | Ultrasonic Cleaning Device, 4.5 liter, 180W      | 16,830 |
| SAP0001        | Intermediate Pressure Tester                     | 1,005  |
| SAP0003A       | Tank Pressure Checker INT                        | 4,035  |
| SAP0004A       | Tank Pressure Checker DIN, 300bar                | 4,135  |
| SAP0003A1      | Gauge for High Pressure Checker                  | 1,625  |
| M2310          | Dwyer Magnehelic Pressure Gauge, Range 5-0-5" WC | 14,215 |
| SAP0002A       | Adjusting Tool 2nd. Stage with gauge             | 3,595  |
| WMDMT-610      | 2nd Stage Inline Adjust Tool With Gauge          | 7,135  |
| SAA01          | Air Nozzle, stainless steel                      | 620    |
| SAA06          | Air Nozzle, rubber                               | 685    |
| M51            | First stage holding tool (stainless)             | ***    |
| SAT19A         | Tire Inflator, heavy duty, stainless             | 665    |
| SAT20          | Tire Inflator, stainless, mixed colors           | 460    |
| TDA79          | O-Ring Tool Kit + Silicone                       | 3,070  |
| TSA05          | Hose Protector Installation Tool                 | 3,570  |
| TSA99          | Tank Valve Knob Removing Tool                    | 1,340  |
| TSA58          | Schrader Valve Tool                              | 605    |
| MSocket-6mm    | Extension for yoke nut tool 3/8                  | 980    |
| V622-278.T10   | Screwdriver ESD TX10                             | 810    |
| V622 261P 0-50 | Philips screwdriver 0*50                         | 520    |
| V622 261P 1-60 | Philips screwdriver 1*60                         | 625    |
| V64602 6S      | Bulkhead Fitting Stainless                       | 2,280  |
| VTR6/10/6LES   | T-Piece Stainless                                | 2,895  |
| TFA64          | Silicone Rescue Tape, 1" wide, C, K, O, R        | 590    |
| F100013031     | TORX Screwdriver T6x40                           | 750    |

**TOOLS - SCUBAPRO**

|              |  |        |
|--------------|--|--------|
| X43.018.000  | Hose Protector Installation Tool         | 2,490  |
| X43.039.103  | BCD Pull Dump Tool                       | 4,000  |
| X43.040.000  | Universal Tool for Scubapro Regulators   | 3,740  |
| X43.117.130  | MK17/19 Dry Chamber Socket               | 3,625  |
| X43.191.107  | Yoke Nut Socket                          | 1,550  |
| X43.300.002  | Nut Driver 1/4"                          | 975    |
| X43.300.003  | Nut driver 5.5mm                         | 975    |
| X43.300.020  | G260 Cover Tool                          | 285    |
| X43.300.108  | Brass Piston Bullet                      | 865    |
| X43.300.017  | Brass O-ring Pick Set                    | 1,815  |
| X43.300.101  | Air 2 Seat Slider Tool                   | 1,690  |
| X43.300.107  | Double Hook O-ring Pick Plastic/St.Steel | 365    |
| X43.300.119  | Air 2 Spider Tool                        | 3,690  |
| X43.300.210  | HP-Seat Tool Mark2                       | 990    |
| X43.300.225  | Flow Vane Extractor Tool - 2nd Stages    | 1,240  |
| X43.300.226  | MK20/25 Bushing Assembly Tool            | 1,375  |
| X43.200.228  | G500 Cover Tool                          | 2,375  |
| X43.300.240  | MK16/18 Balance Chamber Tool             | 1,990  |
| X43.300.235  | Regulator Hose Tool                      | 3,690  |
| X43.300.998  | Torque Wrench 5 - 35N                    | 14,990 |
| X43.403.000  | Regulator Cover Tool - R295, S600, Air2  | 690    |
| X43.403.001P | Regulator Cover Tool - C200, C300        | 190    |
| X43.404.001P | Magnehelic Mouthpiece                    | 490    |
| X41.496.101  | Plastic Syringe                          | 63     |
| X43.650.220  | Tool for Poppet                          | 1,240  |

**COMPUTER BATTERIES**

|         |  |     |
|---------|--|-----|
| MCR2BAT | Battery CR2, Lithium Panasonic (for Strobes / Range Finders) | 465 |
|---------|--|-----|

**COMPUTER SPARE PARTS - SUUNTO****BATTERY KITS**

|              |  |       |
|--------------|--|-------|
| FSS014337000 | Battery Kit D4/D4i                             | 460   |
| FSS012607000 | Battery Kit D6/D6i                             | 460   |
| FSS011629000 | Battery Kit D9                                 | 460   |
| FSS011412000 | Battery Kit DX/D9tx                            | 460   |
| FSS021766000 | Battery Kit Zoop NOVO/Vyper NOVO               | 460   |
| FSS055507000 | Battery Kit Zoop/HelO2/Vytec/Vyper/Cobra/Gekko | 460   |
| FSS055506000 | Battery Kit Spyder/Stinger                     | 460   |
| FSS055003000 | Battery Kit Mosquito/D3                        | 460   |
| FSS055509000 | Battery Kit Transmitter                        | 1,230 |
| FSS020308000 | Battery Kit Tank Pod (EON Steel)               | 1,230 |

**BATTERIES ONLY**

|            |   |       |
|------------|---|-------|
| F100020896 | Solution/Favor LUX, 3.6V Battery ONLY         | 1,065 |
| F1000K5546 | Favor /Companion / Octopus, 3.0V Battery ONLY | 1,065 |

**DISPLAY SHIELDS**

|              |   |     |
|--------------|---|-----|
| FSS005508000 | Sol/Favor/Companion Display Shield Set (2 pcs)    | 370 |
| FSS0V5850000 | Cobra Display Shield                              | 550 |
| FSS013145000 | Cobra2/3 Display Shield Kit                       | 550 |
| FSS0V5875000 | Zoop/Vytec/Vyper/Gekko Display Shield             | 550 |
| FSS013126000 | HelO2/Vyper2/Vyper Air Display Shield             | 550 |
| F100021760   | Zoop NOVO/Vyper NOVO Display Shield Guard         | 640 |
| FSS005501000 | Spyder/Stinger/Mosquito/D3 Display Shield (2 pcs) | 450 |

**REPLACEMENT STRAPS**

|              |  |        |
|--------------|--|--------|
| FSS020311000 | EON Steel Elastomer Strap Replacement Kit      | 2,410  |
| FSS022768000 | EON CORE Elastomer Strap Replacement Kit       | 2,395  |
| FSS018204000 | DX Silver/D9tx Titanium Bracelet Kit           | 11,785 |
| FSS021263000 | DX Silver/D9tx Elastomer Strap Replacement Kit | 2,590  |
| FSS022225000 | D6i Novo BLACK Strap Kit                       | 2,395  |

Promotion



**COMPUTER SPARE PARTS - SUUNTO (Continued)****REPLACEMENT STRAPS**

|              |  |       |
|--------------|--|-------|
| FSS022816000 | D6i Novo BLACK ZULU Strap with Adapter   | 3,990 |
| FSS022817000 | D6i Novo BLUE ZULU Strap with Adapter    | 3,990 |
| FSS022818000 | D6i Novo STEALTH ZULU Strap with Adapter | 3,990 |

**D5 STRAPS (DESIGNED FOR DIVING)**

|              |  |       |
|--------------|--|-------|
| FSS050206000 | D5 DIVE 1 Silicone Strap, Black/Steel, M       | 1,880 |
| FSS050207000 | D5 DIVE 1 Silicone Strap, White/Steel, M       | 1,880 |
| FSS050208000 | D5 DIVE 1 Silicone Strap, Lime/Black, M        | 1,880 |
| FSS050240000 | D5 DIVE 1 Silicone Strap, Blue/Black, M        | 1,880 |
| FSS050241000 | D5 DIVE 1 Silicone Strap, Sakura/Black, M      | 1,880 |
| FSS050242000 | D5 DIVE 1 Silicone Strap, Ocean/Black, M       | 1,880 |
| FSS050243000 | D5 DIVE 1 Silicone Strap, Coral/Black, M       | 1,880 |
| FSS050244000 | D5 DIVE 1 Silicone Strap, Amber/Black, M       | 1,880 |
| FSS050263000 | D5 DIVE 2 Textile Zulu Strap, Black/Black, L   | 2,830 |
| FSS050264000 | D5 DIVE 2 Textile Zulu Strap, Stealth/Black, L | 2,830 |
| FSS050265000 | D5 DIVE 2 Textile Zulu Strap, Blue/Black, L    | 2,830 |
| FSS050228000 | D5 EXPLORE 2 Textile Strap, Black/Black, M+L   | 2,065 |
| FSS050229000 | D5 EXPLORE 2 Textile Strap, Foliage/Grey, M+L  | 2,065 |
| FSS050230000 | D5 EXPLORE 2 Textile Strap, Con/Black, M+L     | 2,065 |

**D5 STRAP EXTENSIONS**

|              |  |       |
|--------------|--|-------|
| FSS050196000 | Strap Extension D5 Dive1 Sil., Black, XL | 1,335 |
| FSS050198000 | Strap Extension D5 Dive1 Sil., Lime, XL  | 1,335 |

**D5 STRAPS (DESIGNED FOR EVERYDAY WEAR)**

|              |   |       |
|--------------|---|-------|
| FSS050012000 | D5 EXPLORE 1 Silicone Strap, Amber/Gray, M                          | 1,375 |
| FSS050220000 | D5 EXPLORE 1 Silicone Strap, Coral/Gray, M                          | 1,375 |
| FSS050221000 | D5 EXPLORE 1 Silicone Strap, Black/Black, M                         | 1,375 |
| FSS050222000 | D5 EXPLORE 1 Silicone Strap, Graphite/Gray, M                       | 1,375 |
| FSS050158000 | D5 EXPLORE 2 Silicone Strap, Black/Black, M                         | 1,875 |
| FSS050155000 | D5 ATHLETIC 3 Silicone Strap, Black/Steel, M                        | 1,875 |
| FSS050156000 | D5 ATHLETIC 3 Silicone Strap, White/Steel, M                        | 1,875 |
| FSS023313000 | D5 ATHLETIC 4 Silicone Strap, Black/Copper, M                       | 1,375 |
| FSS050231000 | D5 URBAN 2 Leather Strap, Black/Black, M                            | 2,365 |
| FSS050232000 | D5 URBAN 2 Leather Strap, Brown/Black, M                            | 2,365 |
| FSS020442000 | D4i NOVO Strap Black  | 2,085 |
| FSS020443000 | D4i NOVO Strap Blue   | 2,085 |
| FSS020444000 | D4i NOVO Strap Lime   | 2,085 |
| FSS020446000 | D4i NOVO Strap Pink   | 2,085 |
| FSS020447000 | D4i NOVO Strap White  | 2,085 |
| FSS021124000 | D4i NOVO Strap Gray   | 2,085 |
| FSS022629000 | D4i NOVO Strap Ocean  | 2,085 |
| FSS022631000 | D4i NOVO Strap Sun  | 2,085 |
| FSS022630000 | D4i NOVO Strap Sakura   | 2,085 |
| FSS050169000 | D4i NOVO Strap LIGHT GOLD   | 2,085 |
| FSS050170000 | D4i NOVO Strap COPPER   | 2,085 |
| FSS0L5838000 | Stinger / Spyder Elastomer Strap/grey - incl. Extension Strap       | 1,670 |
| FSS021765000 | Zoop NOVO/Vyper NOVO - Strap kit                                    | 1,670 |
| FSS0V5841000 | Zoop/HeIO2/Vyper/Gekko Strap complete (incl. Buckle + 3 Springbars) | 1,670 |
| FSS013194000 | Vyper2 / Vyper Air, Strap Set                                       | 1,670 |
| FSS0K5512000 | Elastomer Strap, SK8/ SK7/ SK6/ SM-16/ Solution/ Favor/ Octopus     | 865   |

**BOOTS, MOUNTS, ETC.**

|              |   |       |
|--------------|---|-------|
| FSS020309000 | Bungee Adapter EON Steel BLACK                            | 1,335 |
| FSS023283000 | Bungee Adapter Kit EON Core                               | 885   |
| FSS020310000 | Boot for EON Steel (Does not fit EON Core)                | 865   |
| FSS020627000 | Boot with Bungee Cord for SK-7/SK-8 Diving Compass        | 1,295 |
| FSS020628000 | Suunto Dive Computer Boot (NOT for Zoop Novo, Vyper Novo) | 1,295 |

**COMPUTER SPARE PARTS - SUUNTO (Continued)**

|              |   |     |
|--------------|---|-----|
| FSS0K6018000 | Wrist Mount Boot for SK-7/SK-8                  | 465 |
| FSS021768000 | Zoop NOVO/Wyper NOVO - Boot for CB (combo)      | 865 |
| FSS021767000 | Zoop NOVO/Wyper NOVO - Rubber boot for computer | 865 |
| FSS021886000 | Zoop NOVO/Wyper NOVO - Bungee adaptor kit       | 865 |
| FSS018799000 | SUUNTO Charger                                  | 425 |

**COMPUTER SPARE PARTS - SCUBAPRO / UWATEC**

|              |  |       |
|--------------|--|-------|
| XZ06.201.920 | Battery kit w. O-ring - Smart/Galileo Transmitter                            | 1,100 |
| XZ06.204.071 | Battery kit w. O-ring - Smart+ (05.055.020) / AirZ+ Transmitter (05.055.010) | 1,705 |
| XZ06.202.872 | Battery kit w. O-ring - Galileo  | 1,805 |
| XZ06.007.710 | Battery kit w. O-ring - Aladin Pro (Grey)                                    | 2,815 |
| XZ06.203.586 | Battery kit w. O-ring - XP10 / Alad.Prime                                    | 465   |
| XZ06.200.266 | Battery SL-760/PT, 3-Pin for Aladin  | 1,440 |
| XZ06.200.265 | Battery SL-760/T 2-Pin, for Aladin Smart Pro, Air Z                          | 1,440 |
| XZ27.730.107 | Battery CR2032 for Xtender/Meridian/Chromis/Mantis)                          | 75    |
| XZ06.201.615 | Battery Cap - Aladins  | 795   |
| XZ06.203.053 | Battery Cover - Galileo  | 1,065 |
| XZ06.050.586 | Xp10/Prime O-ring  | 22    |

**REGULATOR SERVICE KITS - SCUBAPRO**

|              |  |       |
|--------------|--|-------|
| XZ10.042.045 | Service Kit Mark 2                             | 775   |
| XZ10.063.045 | Service Kit Mark 2 Evo                         | 925   |
| XZ10.062.032 | Service Kit Mark 2 Nitrox                      | 2,980 |
| XZ10.105.045 | Service Kit Mark 5                             | 925   |
| XZ10.500.045 | Service Kit Mark 10                            | 925   |
| XZ10.550.045 | Service Kit Mark 10 Plus                       | 925   |
| XZ10.707.045 | Service Kit Mark 11                            | 1,510 |
| XZ10.705.045 | Service Kit Mark 14                            | 775   |
| XZ10.117.045 | Service Kit Mark 17 / 19                       | 1,610 |
| XZ10.719.045 | Service Kit Mark 19 Evo                        | 1,805 |
| XZ10.756.045 | Service Kit Mark 16 / 18 / 18 UL               | 2,000 |
| XZ10.721.045 | Service Kit Mark 21                            | 1,120 |
| XZ10.750.045 | Service Kit Mark 25 Evo / 25 / 20              | 1,070 |
| XZ10.712.032 | Service Kit Mark 20 / 25 Nitrox                | 3,470 |
| XZ11.300.045 | Service Kit R190 / R295/ R395 / R380 / HP      | 825   |
| XZ11.361.045 | Service Kit C300 / C200                        | 975   |
| XZ11.012.045 | Service Kit D300 / 350 / 400                   | 1,415 |
| XZ11.420.045 | Service Kit D420                               | 2,195 |
| XZ11.109.045 | Service Kit G200 / Adjustable / M50            | 975   |
| XZ11.261.045 | Service Kit G250V/G260                         | 825   |
| XZ11.254.045 | Service Kit S600 / G250                        | 1,170 |
| XZ11.620.045 | Service Kit S620Ti                             | 925   |
| XZ11.650.045 | Service Kit X650                               | 1,170 |
| XZ11.700.045 | Service Kit A700                               | 1,170 |
| XZ21.009.041 | Service Kit Air 2 - 1st Generation             | 725   |
| XZ21.080.041 | Service Kit Air 2 - 2nd Generation             | 725   |
| XZ21.085.045 | Service Kit Air 2 - 3rd & 4th Generation       | 975   |
| XZ21.090.045 | Service Kit Air 2 - 5th Generation             | 975   |
| XZ21.626.045 | Service Kit Balanced Inflator                  | 660   |
| XZ10.500.047 | Upgrade Kit Mark 10 to Mark 10 Plus            | 3,810 |
| XZ10.116.030 | Upgrade Kit Mark 16 to Mark 18                 | 1,020 |
| XZ10.063.033 | Conversion Kit Mk2Evo to Mk2Evo Nitrox         | 3,565 |
| XZ10.712.030 | Conversion Kit Mark 25 to Mark 25 Nitrox       | 2,835 |
| XZ10.712.033 | Conversion Kit Mark 25Evo to Mark 25Evo Nitrox | 3,960 |

## REGULATOR SERVICE KITS

## SUBGEAR

|               |                                      |       |
|---------------|--------------------------------------|-------|
| GZ810.042.045 | Service Kit Aruba/SG100, 1st Stage   | 790   |
| GZ810.117.045 | Service Kit Cayman/SG1000, 1st Stage | 1,640 |
| GZ821.601.000 | Service Kit Drift Inflator           | 325   |

## SEAC

|        |  |       |
|--------|--|-------|
| BS8412 | Service Kit 1st Stage X-5P / P-Synchro         | 1,190 |
| BS8422 | Service Kit 2nd Stage X-5 / Synchro            | 625   |
| BS8512 | Service Kit 1st & 2nd Stage D-Syn/X-10/PRO/X-5 | 2,370 |

## PROMOTION ITEMS

## SAEKODIVE

|       |   |     |
|-------|---|-----|
| SAD07 | Alu tank Key Ring w. O-rings              | 450 |
| SAD08 | Alu tank Key Ring w. Brass Pick & O-rings | 560 |

## SCUBAPRO

|             |   |       |
|-------------|---|-------|
| X50.793.000 | Scubapro Snapback Cap   | 675   |
| X47.106.00x | Scubapro Key Ring, Nova Seawing, Black/White/Blue/Pink/Purple/Orange/Grey | 98    |
| X50.910.260 | Scubapro Umbrella, 69cm w. windproof shaft                                | 735   |
| X47.301.005 | Base for Scubapro Beach Umbrella  | 900   |
| X47.100.005 | Scubapro Sail (small), Complete with Stand, 50cm x 250cm                  | 3,085 |
| X51.010.100 | Scubapro Counter Mat w. O-Rings   | 635   |
| X51.010.200 | Scubapro floor mat with Boot sizes  | 375   |

## DEEP BLUE, DIVE SUPPLY, etc.

|            |  |       |
|------------|--|-------|
| X002.      | Scubapro "Deep Down" T-Shirt, unisex, 2XS - 4XL        | 295   |
| X003.xx    | Scubapro "Love" T-Shirt, unisex, S - 4XL, Blue Print   | 295   |
| X004.xx    | Scubapro "Love" T-Shirt, unisex, 2XS - 4XL, Pink Print | 295   |
| FZ001.xx   | Suunto "D5" T-Shirt, unisex, 2XS - 4XL                 | 295   |
| DB004-NOTE | Dive Supply Notepad, A6 (10.5cm x 14.8cm)              | 25    |
| DB003C-SU  | SUUNTO Cap   | 400   |
| DB003C-SC  | SCUBAPRO Cap, Deep Down                                | 400   |
| DB004-LAN  | Lanyard with Scubapro, Suunto, Deep Blue               | 50    |
| DB005-WR   | Silicone Wristband, Scubapro, Suunto, Deep Blue        | 25    |
| DB008-BAG  | Non Woven Bag, Dive Supply, Scubapro                   | 45    |
| F1000Z1    | Suunto sail only                                       | 500   |
| F1000Z2    | Suunto stand only                                      | 4,000 |
| MANQ-F     | Mannequin torso, Female                                | 400   |
| MANQ-M     | Mannequin torso, Male                                  | 750   |

## PROMOTIONAL DISPLAYS - SUUNTO

|              |   |     |
|--------------|---|-----|
| FSS050326000 | D4i Black Silicone Dummy Metric           | *** |
| FSS050327000 | D4i White Silicone Dummy Metric           | *** |
| FSS050328000 | D4i Lime Silicone Dummy Metric            | *** |
| FSS050182000 | D5 Black Dummy Metric                     | *** |
| FSS050183000 | D5 White Dummy Metric                     | *** |
| FSS050184000 | D5 Black Lime Dummy Metric                | *** |
| FSS050185000 | D5 All Black Dummy Metric                 | *** |
| FSS050570000 | D5 Copper Dummy Metric                    | *** |
| FSS02177x000 | Zoop Novo Dummy Metric, Black, Blue, Lime | *** |
| FSS02177x000 | Vyper Novo Dummy Metric, Graphite, White  | *** |
| FSS022772000 | EON CORE Black Dummy Metric               | *** |
| FSS023083000 | EON CORE White Dummy Metric               | *** |
| FSS023085000 | EON CORE Lime Dummy Metric                | *** |

## In-Store Display Range

|              |                                    |     |
|--------------|------------------------------------|-----|
| DBCube40     | Ice Cube 40x40x40mm                | *** |
| DBCube60     | Ice Cube 40x40x60mm                | *** |
| DBCube80     | Ice Cube 40x40x80mm                | *** |
| FZS020296000 | Logo Graphics Small, 132mm x 220mm | *** |
| FZS020298000 | Logo Graphics XL, 462mm x 220mm    | *** |

| ITEM # | DESCRIPTION | RETAIL<br>in. VAT |
|--------|-------------|-------------------|
|--------|-------------|-------------------|

## TANKS

|       |                            |        |
|-------|----------------------------|--------|
| LS40  | Catalina S40 w/o valve     | 8,740  |
| LS63  | Catalina S63 w/o valve     | 9,990  |
| LS80  | Catalina S80 w/o valve     | 10,625 |
| LS100 | Thunderbird S100 w/o valve | 14,990 |

## VALVES

|           |   |       |
|-----------|---|-------|
| LVCA4030  | Thermo K Valve  | 2,450 |
| LVCA4035  | Thermo PRO valve (DIN/INT, EAN ready)                             | 2,590 |
| L5440-23  | Thermo DIN / K Insert w. Viton O-rings, EAN ready                 | 435   |
| DBMV4030  | Deep Blue K Valve (EAN ready; Thermo compatible parts)            | 2,290 |
| DBMV4035  | Deep Blue PRO valve (EAN ready; DIN/INT; Thermo compatible parts) | 2,450 |
| L5440-23  | Deep Blue IN / K Insert w. Viton O-rings, EAN ready               | 435   |
| VSRESERVE | SAN-O-SUB J-Valve w. Reserve                                      | 5,880 |

## MODULAR VALVES

|             |   |        |
|-------------|---|--------|
| LVCA8044LH  | Thermo Modular Valve, Left Hand                         | 5,475  |
| LVCA8044RH  | Thermo Modular Valve, Right Hand                        | 5,475  |
| LVCA8033CTR | Thermo Modular Valve, Centre                            | 5,475  |
| LVCA5420    | Thermo Twin Isolation Valve, Complete Set               | 16,425 |
| DBMV-1L     | Deep Blue Modular Valve, Left Hand (EAN Ready)          | 3,750  |
| DBMV-1R     | Deep Blue Modular Valve, Right Hand (EAN Ready)         | 3,750  |
| DBMV-CTR    | Deep Blue Modular Valve, Centre (EAN Ready)             | 3,750  |
| DBMV-Set    | Deep Blue Twin Isolation Valve Complete Set (EAN ready) | 11,250 |
| LVH200L-N   | Thermo Pro H Adapter Left                               | 4,800  |
| LVH200R-N   | Thermo Pro H Adapter Right                              | 4,800  |

## ACCESSORIES

|          |  |            |        |
|----------|--|------------|--------|
| WMD-801A | Twin Tank Bands, 304 Stainless with Rubber | <b>NEW</b> | 12,785 |
| SAT30C   | Tank Band Assembly                         |            | 855    |
| SAP0026  | Anti-Slip Pad for Tank Band                |            | 130    |
| SA05     | Tank Valve cap - Rubber - K                |            | 49     |
| TRP66    | Cupped Tank valve cap - B, G, K, Y         |            | 140    |
| SAT01    | Tank Boot - Rubber                         |            | 660    |
| SAT02    | Tankboot for Steeltank 12L, 7.25"          |            | 660    |
| SAT03    | Tankboot for Steeltank 15L, 8"             |            | 840    |
| TTA56    | Tank Boot - Plastic, for LL50 (6.9L) 7.25" |            | 1,405  |
| TTA60-K  | Tank Mesh - Black                          |            | 640    |
| TTA60-Y  | Tank Mesh - Fluoro Yellow                  |            | 640    |
| TDS07    | Nitrox tank fill tape with %'s of mix      |            | 2,745  |

## PARTS FOR THERMO &amp; DEEP BLUE VALVES

|             |   |     |
|-------------|---|-----|
| LVK01-AIR   | Service Kit for Thermo & Deep Blue Valve<br>(LA015, L35069-K, L5270-16N, L3100-9, L5270-5N)                 | 580 |
| LVK01-EAN   | Service Kit for Thermo & Deep Blue Valve, DIN/INT, EAN<br>(LA015V, L35069-K, L5270-16N, L3100-9E, L5270-5N) | 610 |
| L5203-7P    | 1. Handwheel Nut, EAN ready   | 145 |
| L5240-9     | 2. Spring EAN ready   | 85  |
| L5240-6A    | 3. Handwheel - Black  | 360 |
| L5270-6N    | 3. Handwheel - Green  | 475 |
| L5240-10    | 4. Handwheel Washer, EAN ready  | 75  |
| L5270-4PN   | 5. Bonnet Nut, EAN ready  | 285 |
| L5270-5N    | 6. Stem Packing, EAN ready  | 75  |
| L3100-9     | 7. O-Ring for Stem, Thermo & Deep Blue, AIR   | 30  |
| L3100-9E    | 7. Viton O-Ring Stem, Thermo & Deep Blue, EAN   | 30  |
| L5270-8PN   | 8. Stem EAN ready   | 330 |
| L5270-16N   | 9. Bonnet Gasket, EAN ready   | 85  |
| L35069-K    | 10. Thermo Plug Assembly HP-Seat O2 ready   | 375 |
| L3990-5000N | 11. Safety Assembly (3,000 psi), EAN ready  | 355 |
| LA014       | 12. O-Ring Valve Outlet (NBR)   | 15  |
| LA014S      | 12. O-Ring Valve Outlet (Polyurethane)  | 60  |
| LA10        | 12. O-ring outlet DB INT Valve  | 12  |
| LGR014P9    | 12. Viton O-Ring Outlet   | 30  |
| LA015       | 13. O-Ring Tank Neck  | 15  |
| LA015V      | 13. Viton O-Ring Tank Neck  | 50  |
| L5270-15N   | 14. Dip Tube plated (VP04 Pre 10/09), EAN ready   | 190 |
| LVX04       | 14. Dip Tube plated (VX04 Post 10/09), EAN ready  | 190 |
| L5440-23    | 15. DIN / K Insert w. Viton O-rings, EAN ready  | 360 |
| LVP15V      | 16. Viton O-Ring (Thick) Outlet DIN/INT -Thermo Pro Valve   | 35  |
| LP31B       | 16. O-Ring (Thick) Outlet DIN/INT - Thermo Pro Valve  | 30  |

## THERMO &amp; DEEP BLUE VALVE PARTS

|             |   |
|-------------|---|
| LVK01-AIR   | Service Kit for Thermo & Deep Blue Valve<br>(LA015, L35069-K, L5270-16N, L3100-9, L5270-5N)                 |
| LVK01-EAN   | Service Kit for Thermo & Deep Blue Valve, DIN/INT, EAN<br>(LA015V, L35069-K, L5270-16N, L3100-9E, L5270-5N) |
| L5203-7P    | 1. Handwheel Nut, EAN ready   |
| L5240-9     | 2. Spring EAN ready   |
| L5240-6A    | 3. Handwheel - Black  |
| L5270-6N    | 3. Handwheel - Green  |
| L5240-10    | 4. Handwheel Washer, EAN ready  |
| L5270-4PN   | 5. Bonnet Nut, EAN ready  |
| L5270-5N    | 6. Stem Packing, EAN ready  |
| L3100-9     | 7. O-Ring for Stem, Thermo & Deep Blue, AIR   |
| L3100-9E    | 7. Viton O-Ring Stem, Thermo & Deep Blue, EAN   |
| L5270-8PN   | 8. Stem EAN ready   |
| L5270-16N   | 9. Bonnet Gasket, EAN ready   |
| L35069-K    | 10. Thermo Plug Assembly HP-Seat O2 ready   |
| L3990-5000N | 11. Safety Assembly (3,000 psi), EAN ready  |
| LA014       | 12. O-Ring Valve Outlet (NBR)   |
| LA014S      | 12. O-Ring Valve Outlet (Polyurethane)  |
| LA10        | 12. O-ring outlet DB INT Valve  |
| LGR014P9    | 12. Viton O-Ring Outlet   |
| LA015       | 13. O-Ring Tank Neck  |
| LA015V      | 13. Viton O-Ring Tank Neck  |
| L5270-15N   | 14. Dip Tube plated (VP04 Pre 10/09), EAN ready   |
| LVX04       | 14. Dip Tube plated (VX04 Post 10/09), EAN ready  |
| L5440-23    | 15. DIN / K Insert w. Viton O-rings, EAN ready  |
| LVP15V      | 16. Viton O-Ring (Thick) Outlet DIN/INT -Thermo Pro Valve   |
| LP31B       | 16. O-Ring (Thick) Outlet DIN/INT - Thermo Pro Valve  |

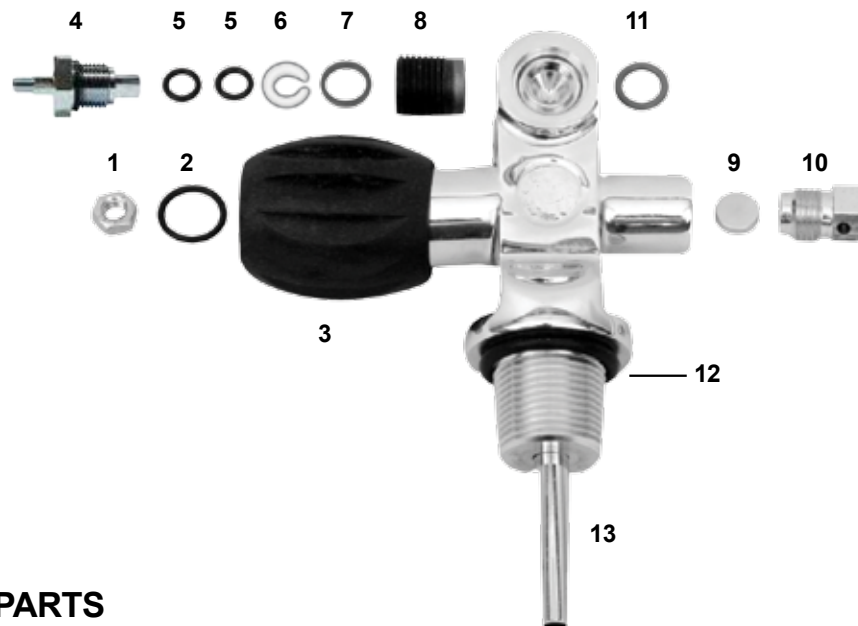
THERMO

DEEPBLUE  
PRODUCTS



**SPAREPARTS for Genesis/SMT VALVE**

|            |  |       |
|------------|--|-------|
| LSMT00-AIR | Service Kit for SMT Valve<br>(LSMT07/09/45, LA015, 2 x LSMT010E, LSMT075E) | 880   |
| LSMT22     | 1. Handwheel Nut   | 35    |
| LSMT075E   | 2. O-Ring Bonnet   | 15    |
| LSMT20     | 3. Handwheel - Black   | 565   |
| LSMT04-A   | 4. Complete Stem Assembly Incl. 2x5, 6, 7                                  | 1,315 |
| LSMT10E    | 5. O-Ring Stem   | 15    |
| LSMT09     | 6. Backup Ring   | 50    |
| LSMT07     | 7. Gasket  | 65    |
| LSMT45     | 8. HP-Seat SMT Valve, Oxygen ready   | 715   |
| LSMT26-30  | 9.&10. Safety Plug & Burst Disk 3,000 psi (5,000 burst)                    | 675   |
| LA014      | 11. O-Ring Valve Outlet (NBR)  | 15    |
| LA014S     | 11. O-Ring Valve Outlet (Polyurethane)                                     | 60    |
| LGR014P9   | 11. Viton O-Ring Outlet  | 30    |
| LA015      | 12. O-Ring Tank Neck   | 15    |
| LA015V     | 12. Viton O-Ring Tank Neck   | 50    |
| LSMT28     | 13. Dip Tube   | 355   |

**SMT VALVE PARTS**

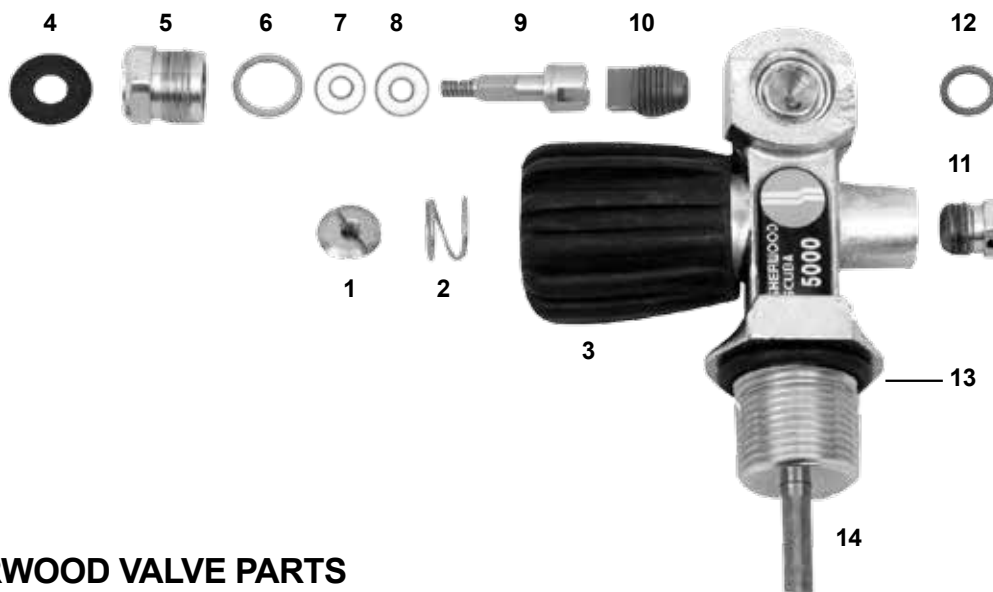
|            |  |
|------------|--|
| LSMT00-AIR | Service Kit for SMT Valve<br>(LSMT07/09/45, LA015, 2 x LSMT010E, LSMT075E) |
| LSMT22     | 1. Handwheel Nut   |
| LSMT075E   | 2. O-Ring Bonnet   |
| LSMT20     | 3. Handwheel - Black   |
| LSMT04-A   | 4. Complete Stem Assembly Incl. 2x5, 6, 7                                  |
| LSMT10E    | 5. O-Ring Stem   |
| LSMT09     | 6. Backup Ring   |
| LSMT07     | 7. Gasket  |
| LSMT45     | 8. HP-Seat SMT Valve, Oxygen ready   |
| LSMT26-30  | 9.&10. Safety Plug & Burst Disk 3,000 psi (5,000 burst)                    |
| LA014      | 11. O-Ring Valve Outlet (NBR)  |
| LA014S     | 11. O-Ring Valve Outlet (Polyurethane)                                     |
| LGR014P9   | 11. Viton O-Ring Outlet  |
| LA015      | 12. O-Ring Tank Neck   |
| LA015V     | 12. Viton O-Ring Tank Neck   |
| LSMT28     | 13. Dip Tube   |

## SPAREPARTS for SHERWOOD VALVES

|               |   |     |
|---------------|---|-----|
| LSW350620-AIR | Overhaul Kit for Sherwood Valve<br>(LA015, LSW35067, LSW35018, LSW350610, L35069-K) | 690 |
| L5203-7P      | 1. Handwheel Nut, EAN ready   | 145 |
| LSW350611A    | 2. Spring - Sherwood valve  | 135 |
| LSW60002      | 3. Handwheel Sherwood - Black   | 445 |
| LSW1413       | 4. Handwheel Washer, Sherwood valve   | 60  |
| L5270-4PN     | 5. Bonnet Nut, EAN ready  | 285 |
| LSW350610     | 6. Bonnet Gasket  | 120 |
| LSW35067      | 7. Thick Teflon ring (new style seal)   | 115 |
| LSW350618     | 8. Thin Teflon ring (new style seal)  | 70  |
| LSW9350612    | 9. Stem/Spindle   | 490 |
| L35069-K      | 10. Plug Assembly HP-Seat O2 ready (Thermo/Sherwood)                                | 375 |
| LSW400012048  | 11. Safety Plug Assembly 5,000 psi  | 585 |
| LA014         | 12. O-Ring Valve Outlet (NBR)   | 15  |
| LA014S        | 12. O-Ring Valve Outlet (Polyurethane)  | 60  |
| LGR014P9      | 12. Viton O-Ring Outlet   | 30  |
| LA015         | 13. O-Ring Tank Neck  | 15  |
| LA015V        | 13. Viton O-Ring Tank Neck  | 50  |
| L5270-15N     | 14. Dip Tube plated (VP04 Pre 10/09), EAN ready                                     | 190 |



**Sherwood Valve**



## SHERWOOD VALVE PARTS

|               |   |
|---------------|---|
| LSW350620-AIR | Overhaul Kit for Sherwood Valve<br>(LA015, LSW35067, LSW35018, LSW350610, L35069-K) |
| L5203-7P      | 1. Handwheel Nut, EAN ready   |
| LSW350611A    | 2. Spring - Sherwood valve  |
| LSW60002      | 3. Handwheel Sherwood - Black   |
| LSW1413       | 4. Handwheel Washer, Sherwood valve   |
| L5270-4PN     | 5. Bonnet Nut, EAN ready  |
| LSW350610     | 6. Bonnet Gasket  |
| LSW35067      | 7. Thick Teflon ring (new style seal)   |
| LSW350618     | 8. Thin Teflon ring (new style seal)  |
| LSW9350612    | 9. Stem/Spindle   |
| L35069-K      | 10. Plug Assembly HP-Seat O2 ready (Thermo/Sherwood)                                |
| LSW400012048  | 11. Safety Plug Assembly 5,000 psi  |
| LA014         | 12. O-Ring Valve Outlet (NBR)   |
| LA014S        | 12. O-Ring Valve Outlet (Polyurethane)  |
| LGR014P9      | 12. Viton O-Ring Outlet   |
| LA015         | 13. O-Ring Tank Neck  |
| LA015V        | 13. Viton O-Ring Tank Neck  |
| L5270-15N     | 14. Dip Tube plated (VP04 Pre 10/09), EAN ready                                     |

**SPAREPARTS for XS SCUBA VALVE**

|         |  |    |
|---------|--|----|
| LVX17-E | 6. (New) O-Ring EPDM (Bonnet) (for XS Scuba valve) | 85 |
|---------|--|----|

**O-RINGS**

|              |  |     |
|--------------|--|-----|
| L3100-9      | O-Ring for Stem, Thermo Valve, AIR                             | 27  |
| LGR010E      | O-Ring Stem, SMT Valve, Air                                    | 14  |
| LGRM075E     | O-Ring Bonnet, SMT Valve, Air                                  | 14  |
| M011         | O-Ring, Inflator Nipple/Quick Connect w. 3 Balls               | 7   |
| LA015        | O-Ring Tank Neck   | 14  |
| M30102       | O-Ring HP-Swivel   | 15  |
| LP31B        | O-Ring Valve Outlet  | 26  |
| LA014        | O-Ring Valve Outlet  | 12  |
| LA014S       | O-Ring Tank Neck   | 64  |
| XZ01.050.138 | O-Ring HP-hose/Quick Connect 4 balls, 7.65x1.78                | 16  |
| XZ01.050.132 | O-Ring Scubapro EPDM (Ethylene-Propylene)                      | 16  |
| XZ01.050.193 | O-Ring DIN Regulator Scubapro 10.77 x 2.62, black              | 47  |
| XZ01.050.428 | O-Ring DIN Regulator Scubapro 10.77 x 2.63, Polyurethane clear | 105 |
| TD601        | Mini O-ring Kit  | 285 |
| TD602        | Save a Dive O-Ring Kit 40 pcs.+silicone                        | 825 |
| UZ2460-O     | O-ring Aquastar LED torch                                      | 25  |

**VITON O-RINGS**

|              |   |     |
|--------------|---|-----|
| LGR014P9     | Viton O-ring Outlet                                   | 26  |
| L3100-9E     | Viton O-Ring Stem Thermo                              | 28  |
| LVP15V       | Viton O-Ring (Thick) Outlet DIN/INT-Thermo pro Valve  | 33  |
| LA015V       | Viton O-Ring Tank Neck                                | 47  |
| M30102V      | Viton O-Ring HP-swivel                                | 50  |
| XZ01.050.126 | O-Ring 4.5x1.8 Sh85 VT                                | 19  |
| XZ01.050.143 | Viton O-Ring HP-hose/Quick Connect 4 balls, 7.65x1.78 | 50  |
| XZ01.050.195 | Viton O-Ring DIN Regulator Scubapro 10.77x2.62        | 26  |
| L3100-9E     | 7. Viton O-Ring Stem, Thermo & Deep Blue, EAN         | 28  |
| TD603        | Viton O-ring Kit, 10 pcs.                             | 630 |
| TD604        | Viton O-ring Kit, 20 pcs.                             | 835 |
| LVP25V       | Viton O-ring, Modular Access Plug                     | 20  |

**BAUER COMPRESSORS PORTABLE MODELS up to 330 Bar / 4780 psig****Compact Line 100-140ltr/min**

|                  |                                       |                            |         |
|------------------|---------------------------------------|----------------------------|---------|
| QJ2W             | Junior 2 W, 230V                      | 100ltr/min / B-Timer / P21 | 262,000 |
| QJ2B             | Junior 2 B, Petrol                    | 100ltr/min / B-Timer / P21 | 266,000 |
| QJ2E             | Junior 2 E, 400V                      | 100ltr/min / B-Timer / P21 | 262,000 |
| QPE100-TW/P11    | Poseidon 100 W, 220V                  | 100 ltr/min / P11          | 214,500 |
| QPE100-TB/P11    | Poseidon 100 B, Petrol                | 100 ltr/min / P11          | 219,000 |
| QPE100-TE/P11    | Poseidon 100 E, 400V                  | 100 ltr/min / P11          | 196,500 |
| QPE100-TE-SH/P11 | Poseidon 100 E, Shooting Version 230V | 100 ltr/min / P11          | 219,500 |
| QOC-E            | Oceanus E, 400V                       | 140ltr/min / B-Timer / P21 | ***     |
| QOC-W            | Oceanus W, 230V                       | 140ltr/min / B-Timer / P21 | ***     |
| QOC-B            | Oceanus B, Petrol                     | 140ltr/min / B-Timer / P21 | ***     |

**Profi Line 140-250ltr/min**

|            |                |                  |     |
|------------|----------------|------------------|-----|
| QC140E     | Capitano 140 E | 140ltr/min / P21 | *** |
| QC140B     | Capitano 140 B | 140ltr/min / P21 | *** |
| QM200E/P21 | Mariner 200 E  | 200ltr/min / P21 | *** |
| QM200B/P21 | Mariner 200 B  | 200ltr/min / P21 | *** |
| QM250E/P31 | Mariner 250 E  | 250ltr/min / P31 | *** |
| QM250E/P41 | Mariner 250 E  | 250ltr/min / P41 | *** |
| QM250B/P31 | Mariner 250 B  | 250ltr/min / P31 | *** |
| QM250B/P41 | Mariner 250 B  | 250ltr/min / P41 | *** |

**TE-Range**

|                        |                                   |                   |     |
|------------------------|-----------------------------------|-------------------|-----|
| QPE200-TE/P21          | Poseidon 200 E                    | 200 ltr/min / P21 | *** |
| QPE250-TE/P21          | Poseidon 250 E                    | 250 ltr/min / P21 | *** |
| QPE250-TE/P31          | Poseidon 250 E                    | 250 ltr/min / P31 | *** |
| QPE250-TE/P31/V1/2fill | Poseidon 250 E V1 / 2 fill. Valve | 250 ltr/min / P31 | *** |

**TB-Range**

|               |                        |                   |     |
|---------------|------------------------|-------------------|-----|
| QPE200-TB/P21 | Poseidon 200 B, Petrol | 200 ltr/min / P21 | *** |
| QPE250-TB/P31 | Poseidon 250 B, Petrol | 250 ltr/min / P31 | *** |

**Profi Line 300-320ltr/min**

|            |               |                             |     |
|------------|---------------|-----------------------------|-----|
| QM320E/P31 | Mariner 320 E | 320 ltr/min / B-Timer / P31 | *** |
| QM320E/P41 | Mariner 320 E | 320 ltr/min / B-Timer / P41 | *** |
| QM320B/P31 | Mariner 320 B | 320 ltr/min / B-Timer / P31 | *** |
| QM320B/P41 | Mariner 320 B | 320 ltr/min / B-Timer / P41 | *** |

**TE-Range**

|               |                |                   |     |
|---------------|----------------|-------------------|-----|
| QPE300-TE/P21 | Poseidon 300 E | 300 ltr/min / P21 | *** |
| QPE300-TE/P31 | Poseidon 300 E | 300 ltr/min / P31 | *** |
| QPE300-TE/P41 | Poseidon 300 E | 300 ltr/min / P41 | *** |

**TB-Range**

|               |                        |                   |     |
|---------------|------------------------|-------------------|-----|
| QPE300-TB/P31 | Poseidon 300 B, Petrol | 300 ltr/min / P31 | *** |
| QPE300-TB/P41 | Poseidon 300 B, Petrol | 300 ltr/min / P41 | *** |

**Profi Line - Diesel driven units**

|            |                             |                  |     |
|------------|-----------------------------|------------------|-----|
| QC140D/P21 | Capitano 140 D, Hatz Diesel | 140ltr/min / P21 | *** |
| QM170D/P31 | Mariner 170 D, Hatz Diesel  | 170ltr/min / P21 | *** |

**Prices for units up to 420 Bar upon request**

**BAUER COMPRESSORS STATIONARY MODELS up to 330 Bar / 4780 psig****PE-HE-Range**

|               |                |                   |     |
|---------------|----------------|-------------------|-----|
| QPE250-HE/P31 | Poseidon 250 E | 250 ltr/min / P31 | *** |
| QPE300-HE/P31 | Poseidon 300 E | 300 ltr/min / P31 | *** |

**Mini Verticus Range w/o Fill Connections**

|            |                     |                   |     |
|------------|---------------------|-------------------|-----|
| QMV150/P41 | Mini Verticus MV150 | 150 ltr/min / P41 | *** |
| QMV200/P41 | Mini Verticus MV200 | 200 ltr/min / P41 | *** |
| QMV250/P41 | Mini Verticus MV250 | 250 ltr/min / P41 | *** |
| QMV320/P41 | Mini Verticus MV320 | 320 ltr/min / P41 | *** |

**PE-MVE Range**

|                |                                     |                                    |     |
|----------------|-------------------------------------|------------------------------------|-----|
| QPE250-MVE/P31 | Poseidon 250 MVE, w. Silent Housing | 250 ltr/min / P31 / 225 or 330 Bar | *** |
| QPE300-MVE/P31 | Poseidon 300 MVE, w. Silent Housing | 300 ltr/min / P31 / 225 or 330 Bar | *** |
| QPE300-MVE/P41 | Poseidon 300 MVE, w. Silent Housing | 300 ltr/min / P41 / 225 or 330 Bar | *** |

**Verticus Range w/o Fill Connections**

|           |      |                   |     |
|-----------|------|-------------------|-----|
| QV450/P61 | V450 | 450 ltr/min / P61 | *** |
| QV540/P61 | V540 | 540 ltr/min / P61 | *** |
| QV680/P61 | V680 | 680 ltr/min / P61 | *** |

**PE-VE Range w/o Fill Connections**

|                 |              |                   |     |
|-----------------|--------------|-------------------|-----|
| QPE 300-VE open | Poseidon 300 | 300 ltr/min / P41 | *** |
| QPE 400-VE open | Poseidon 400 | 400 ltr/min / P41 | *** |
| QPE 550-VE open | Poseidon 550 | 550 ltr/min / P41 | *** |
| QPE 700-VE open | Poseidon 700 | 700 ltr/min / P61 | *** |
| QPE 850-VE open | Poseidon 850 | 850 ltr/min / P61 | *** |

**PE-Range, open, 420Bar, 4/5 stages**

|                |              |                   |     |
|----------------|--------------|-------------------|-----|
| QPE250-VE-open | Poseidon 250 | 250 ltr/min / P41 | *** |
| QPE320-VE-open | Poseidon 320 | 320 ltr/min / P41 | *** |
| QPE500-VE-open | Poseidon 500 | 500 ltr/min / P41 | *** |
| QPE600-VE-open | Poseidon 600 | 680 ltr/min / P61 | *** |

|                 |                              |  |     |
|-----------------|------------------------------|--|-----|
| QV-Super Silent | For Super Silent Version add |  | *** |
|-----------------|------------------------------|--|-----|

**BAUER NITROX COMPRESSORS**

|           |   |             |     |
|-----------|---|-------------|-----|
| QM260E-OX | Mariner 260-E-OX, O2 Content/Flow up to 40% | 260 ltr/min | *** |
| QM320E-OX | Mariner 320-E-OX, O2 Content/Flow up to 40% | 320 ltr/min | *** |

|           |   |             |     |
|-----------|---|-------------|-----|
| QMV320-OX | Mini Vertikus 232-OX, O2 Content/Flow up to 40% | 320 ltr/min | *** |
| QV450-OX  | Vertikus 450-OX, O2 Content/Flow up to 40%      | 450 ltr/min | *** |

|                      |  |             |     |
|----------------------|--|-------------|-----|
| QPE NITROX 320-VE-OX | Poseidon Nitrox 320-VE-OX, O2 Content/Flow up to 40% | 320 ltr/min | *** |
| QPE NITROX 550-VE-OX | Poseidon Nitrox 550-VE-OX, O2 Content/Flow up to 40% | 550 ltr/min | *** |
| QPE NITROX 700-VE-OX | Poseidon Nitrox 700-VE-OX, O2 Content/Flow up to 40% | 700 ltr/min | *** |

**B-NITROX BLENDING SYSTEMS**

|           |  |             |     |
|-----------|--|-------------|-----|
| QM320E-OX | Mariner 320-E-OX, O2 Content/Flow up to 40%                                      | 320 ltr/min | *** |
| QMV260-OX | Mini Vertikus 260-OX, O2 Content/Flow up to 40% , incl. Mixing Panel & B-Control | 260 ltr/min | *** |
| QMV320-OX | Mini Vertikus 320-OX, O2 Content/Flow up to 40%, incl. Mixing Panel & B-Control  | 320 ltr/min | *** |
| QV450-OX  | Vertikus 450-OX, O2 Content/Flow up to 40%, incl. Mixing Panel & B-Control       | 450 ltr/min | *** |



**AERO - GUARD****CO2 absorber for breathing air**

|  |                                 |     |
|--|---------------------------------|-----|
|  | Aero-Guard-S, 100-150 l/min     | *** |
|  | Aero-Guard-M, 160-230 l/min     | *** |
|  | Aero-Guard-L, 240-320 l/min     | *** |
|  | Aero-Guard-XL, 330-450 l/min    | *** |
|  | Aero-Guard-XXL, 460-680 l/min   | *** |
|  | Aero-Guard-Duo, 650-1,000 l/min | *** |

**AEROTEST SIMULTAN**

|         |  |     |
|---------|--|-----|
| QN31565 | Aerotest HP Simultan Impactor, max. pressure 300 Bar | *** |
| QN25535 | Water Vapour (H2O)                                   | *** |
| QN15522 | Carbon Dioxide (CO2)                                 | *** |
| QN15523 | Carbon Monoxide (CO)                                 | *** |
| QN31173 | Impactors - Oil                                      | *** |
| QN31184 | Impactor-adaptor                                     | *** |

**OPTIONAL EQUIPMENT - COMPACT LINE ( Junior & Oceanus ) PRICES ONLY VALID w. NEW COMPRESSOR**

|         |   |  |     |
|---------|---|--|-----|
|         | Base frame in stainless steel Junior (Oceanus included as standard) | ***                                    |     |
|         | Trolley   | ***                                    |     |
| Q180050 | Intake Adaptor for B-Verions incl. 3m hose                          | ***                                    |     |
|         | Auto Cond. Drain f. Junior2E, Oceanus E                             | w. final pressure switch-off, 1 range  | *** |
|         | Auto Cond. Drain f. Junior2B, Oceanus-B                             | w. final pressure switch-off, 1 range  | *** |
|         | Auto Cond. Drain f. Junior2W, Oceanus-W                             | w. final pressure switch-off, 1 range  | *** |
|         | Auto Cond. Drain 2 ranges all models *Add to above 1 range prices*  | w. final pressure switch-off, 2 ranges | *** |
| Q181833 | Condensate Tank, Compact Line (Junior, Oceanus, PE100)              | ***                                    |     |
|         | Filling device 2 x 200 bar  | ***                                    |     |
|         | Filling device 2 x 300 bar  | ***                                    |     |
|         | Switch Over Device 1x200/1x300 bar                                  | ***                                    |     |

**OPTIONAL EQUIPMENT - PROFI LINE (Capitano 140 & Mariner200 / 250 / 320) ONLY VALID w. NEW COMPRESSOR**

|  |   |                                 |     |
|--|---|---------------------------------|-----|
|  | Trolley   | ***                             |     |
|  | Crash Frame (for Capitano only)   | ***                             |     |
|  | Air Intake Telescope Capitano & Mariner 200 only)                                       | ***                             |     |
|  | Compr.Control w.Auto Drain; Capitano 140B/Mariner 200B- 10L Tank, Auto Stop (HALF Auto) | ***                             |     |
|  | Compr.Control w.Auto Drain; Capitano 140E   | 10L Tank, Auto Stop (HALF Auto) | *** |
|  | Electr. Control w. Auto Cond. Drain Mariner 200E/250E                                   | 10L Tank, Auto Stop (HALF Auto) | *** |
|  | Electr. Control w. Auto Cond. Drain Mariner 320B  | 10L Tank, Auto Stop (HALF Auto) | *** |
|  | Electr. Control w. Auto Cond. Drain Mariner 320E  | 10L Tank, Auto Stop (HALF Auto) | *** |
|  | Surcharge for full Auto M200E, M250E, M320E   | 10L Tank, Auto Stop (HALF Auto) | *** |
|  | Auto Cond. Drain when separator after 1st Stage (Mariner)                               | ***                             |     |
|  | Additional Separator after 1st stage Capitano/Mariner                                   | ***                             |     |
|  | B-KOOL (stand alone) Mariner E only w. P41 and Control                                  | ***                             |     |
|  | B-KOOL mounting Kit (necessary!)  | ***                             |     |
|  | Filter P31 instead of P21, Capitano, Mariner 200  | ***                             |     |
|  | Filter P41 instead of P21, Mariner 200  | ***                             |     |
|  | Filter P41 instead of P31, Mariner 250 / 320  | ***                             |     |
|  | SECURUS Control unit for Mariner 200E, 250E, 320E                                       | ***                             |     |
|  | B-Timer (Not possible with Securus, upgrade possible)                                   | ***                             |     |
|  | Additional filling devices 2 x 200 bar Capitano   | ***                             |     |
|  | Additional filling devices 2 x 300 bar Capitano   | ***                             |     |
|  | Additional filling devices 4 x 200Bar Mariner 200/250                                   | ***                             |     |
|  | Additional filling devices 4 x 300Bar Mariner 200/250                                   | ***                             |     |
|  | Switch Over Device 200/300Bar Capitano 140  | ***                             |     |
|  | Switch Over Device 200/300Bar Mariner 200/250   | 1 x 200Bar / 1 x 300Bar         | *** |
|  | Switch Over Device 200/300Bar Mariner 200/250   | 2 x 200Bar / 2 x 300Bar         | *** |
|  | Switch Over Device 200/300Bar Mariner 320   | 2 x 200Bar / 2 x 300Bar         | *** |

**OPTIONAL EQUIPMENT - MINI VERTICUS & VERTICUS** PRICES ONLY VALID WITH NEW COMPRESSOR

|                         |   |     |
|-------------------------|---|-----|
| QVert-Silent Kit        | Super Silent with Compressor                                    | *** |
| QVert-Silent Kit        | Retrofit Kit Super Silent for Verticus                          | *** |
|                         | Safety Valve with T?V Setting, 330Bar, 420Bar                   | *** |
|                         | External air intake over roof                                   | *** |
|                         | Exhaust air duct  | *** |
|                         | Exhaust air duct with cover                                     | *** |
|                         | Compressor Control B-Control Micro II                           | *** |
|                         | Set of intermediate pressure gauges - Mini Vertikus             | *** |
|                         | Set of intermediate pressure gauges - Vertikus                  | *** |
|                         | Set of intermediate pressure gauges - Vertikus V560/420 bar     | *** |
|                         | Oil Level   | *** |
|                         | Condensate Collecting Tank 60L (external)                       | *** |
|                         | Separator after 1st stage                                       | *** |
|                         | B-KOOL  | *** |
|                         | Filter system P61 instead of P41 - Mini Verticus 350 bar        | *** |
|                         | Filter system P61 instead of P41 - Mini Verticus 420 bar        | *** |
|                         | Filter system P81 instead of P61 - Vertikus 350 bar             | *** |
|                         | Filter system P81 instead of P61 - Vertikus 420 bar             | *** |
|                         | B-SECURUS monitoring  | *** |
|                         | Particle Filter (ISO 8573:210 class 2)                          | *** |
|                         | Extended Base Frame   | *** |
| PN 200 bar / PN 300 bar | Set of 4 filling devices w. hoses, 200 bar or 300 bar           | *** |
| PN 300/200              | Set of 4 filling devices w. hoses, switch 2x200 bar / 2x300 bar | *** |

**OPTIONAL EQUIPMENT - POSEIDON LINE** PRICES ONLY VALID WITH NEW COMPRESSOR

|             |   |     |
|-------------|---|-----|
| PE100TE     | Intake Manifold   | *** |
| PE100TE     | Motor protection switch incl. cable & plug  | *** |
| TB-Range    | Trolley TB-Range  | *** |
| TB-Range    | Carrying Handles  | *** |
| TE-Range    | V1. Motor protection switch incl. cable PE200-TE  | *** |
| TE-Range    | V1. Motor protection switch incl. cable PE250-TE  | *** |
| TE-Range    | V1. Motor protection switch incl. cable PE300-TE  | *** |
| TE-Range    | V2. Star/Delta starting, incl. cable  | *** |
| TE-Range    | V3. Electric control compl. w. automatic condensate drain and final pressure switch off | *** |
| TB-Range    | Automatic condensate drain, final switch off  | *** |
| TE-Range    | Condensate collecting tank 10L  | *** |
| TE-Range    | B-SECURUS monitoring, TE250 and TE300   | *** |
| TE/HE-Range | B-TIMER (not if SECURUS is installed)   | *** |
| TE/HE-Range | Filter P31 instead of P21, PE200-TB / 250-TE / PE300-TE                                 | *** |
| TB-Range    | Filter P41 instead of P21, PE250 TE / PE300-TE  | *** |
| TB-Range    | Filter P41 instead of P31, PE250-TB / PE300-TB  | *** |
| HE-Range    | Filter P41 instead of P31, PE250-HE / PE300-HE  | *** |
| TE-Range    | Additional filling device 200Bar TE and TB Range  | *** |
| TE-Range    | Additional filling device 300Bar TE and TB Range  | *** |
| TE-Range    | Switch over device 1x200/1x300 bar TE and TB Range                                      | *** |
| HE-Range    | Filling device 2 x 200 Bar (hose connections)   | *** |
| HE-Range    | Filling device 2 x 300 Bar (hose connections)   | *** |
| HE-Range    | Filling device 4 x 200 Bar (hose connections)   | *** |
| HE-Range    | Filling device 4 x 300 Bar (hose connections)   | *** |
| HE-Range    | Filling device 2 x 200 Bar / 2 x 300 Bar, with pressure reducer (hose connections)      | *** |
| HE-Range    | Filling device 4 x 200 Bar (direct connection)  | *** |
| HE-Range    | Filling device 4 x 300 Bar (direct connection)  | *** |
| HE-Range    | Filling device 2 x 200 Bar / 2 x 300 Bar, with pressure reducer (direct connection)     | *** |

**OPTIONAL EQUIPMENT - POSEIDON MVE & VE-RANGE** PRICES ONLY VALID WITH NEW COMPRESSOR

|                    |   |     |
|--------------------|---|-----|
| MVE-Range          | Compressor Contol fully automatic   | *** |
| MVE-Range          | B-TIMER   | *** |
| MVE-Range          | Filter P41 instead of P31   | *** |
| MVE-Range          | Switch over device 1x200/1x300 bar MVE Range  | *** |
| VE550              | Filter system P61 instead of P41 - PEVE550, 350 bar                                 | *** |
| VE500              | Filter system P61 instead of P41 - PEVE500, 420 bar                                 | *** |
| VE-300/400/550/700 | Filling device 4 x 200 Bar (hose connections)                                       | *** |
| VE-300/400/550/700 | Filling device 4 x 300 Bar (hose connections)                                       | *** |
| VE-300/400/550/700 | Filling device 2 x 200 Bar / 2 x 300 Bar, with pressure reducer (hose connections)  | *** |
| VE-300/400/550/700 | Filling device 4 x 200 Bar (direct connection)                                      | *** |
| VE-300/400/550/700 | Filling device 4 x 300 Bar (direct connection)                                      | *** |
| VE-300/400/550/700 | Filling device 2 x 200 Bar / 2 x 300 Bar, with pressure reducer (direct connection) | *** |
|                    | B-SECURUS Monitoring  | *** |
| VE-Range           | Condensate collecting tank 60 L   | *** |
| VE-Range           | Super Silent for open PE models   | *** |
| QPE-Silent Kit     | Upgrade Kit Super Silent for open PE models   | *** |
|                    | Extended Base Frame   | *** |

**MAINTENANCE KITS**

|                      |  |     |
|----------------------|--|-----|
| QA-JuniorII-F4-a1    | 500 Hour Service Kit-Junior II / Poseidon 100                    | *** |
| QA-Oceanus-F1-a1     | 500 Hour Service Kit-Oceanus                                     | *** |
| QA-100II-F7-a1       | 500 Hour Service Kit - Capitano 140 B / E                        | *** |
| QA-120II-F7-a1       | 500 Hour Service Kit- Mariner 200 / 250; Poseidon 200/250/300    | *** |
| QA-12.14II-F4/6-a1   | 500 Hour Service Kit- Mariner 320 B / E                          | *** |
| QA-JuniorII-F4-ab1   | 1000 Hour Service Kit -Junior II / Poseidon 100                  | *** |
| QA-Oceanus-F1-ab1    | 1000 Hour Service Kit-Oceanus                                    | *** |
| QA-100II-F7-ab1      | 1000 Hour Service Kit-Capitano 140 B / E / D                     | *** |
| QA-120II-F7-ab1      | 1000 Hour Service Kit-Mariner 200 / 250 - B / E / D              | *** |
| QA-12.14II-F4/6-ab1  | 1000 Hour Service Kit-Mariner 320 B / E                          | *** |
| QA-JuniorII-F4-abc1  | 2000 Hour Service Kit-Junior II / Poseidon 100                   | *** |
| QA-Oceanus-F1-abc1   | 2000 Hour Service Kit-Oceanus                                    | *** |
| QA-100II-F7-abc1     | 2000 Hour Service Kit-Capitano 140 B / E / D                     | *** |
| QA-120II-F7-abc1     | 2000 Hour Service Kit-Mariner 200 / 250 - B / E / D              | *** |
| QA-12.14II-F4/6-abc1 | 2000 Hour Service Kit-Mariner 320 B / E                          | *** |
| QN15052              | Maint. Kit for Condensate Separator, Capitano, Mariner 200 / 250 | *** |
| QN26544              | Maint. Kit for Condensate, Separator Mariner 320                 | *** |

**VARIOUS ORIGINAL COMPRESSOR PARTS BAUER**

|            |  |        |
|------------|--|--------|
| QN28355-1  | Synthetic Compressor Oil original Bauer 1 Liter                    | 1,485  |
| QN28355-3  | Synthetic Compressor Oil original Bauer 3 Liter                    | 4,455  |
| QN28355-5  | Synthetic Compressor Oil original Bauer 5 Liter                    | 7,425  |
| QN28355-20 | Synthetic Compressor Oil original Bauer 20 Liter                   | 26,730 |
| Q057679    | P21 Filter Cartridge (for units with E-motor)                      | ***    |
| Q059183    | P21 Filter Cardridge with CO removal (for units with Petrol motor) | ***    |
| Q80100     | P31 Filter Cartridge   | ***    |
| Q80114     | P31 Filter Cartridge with CO removal                               | ***    |
| Q062565    | P41 / P42 Filter Cartridge 20"                                     | ***    |
| Q067224    | P41 / P42 Filter Cartridge 20" with CO removal                     | ***    |
| Q061686    | P41 / P42 Filter Cartridge 20" SECURUS                             | ***    |
| Q061687    | P41 / P42 Filter Cartridge 20" SECURUS with CO removal             | ***    |
| Q058826    | P61 Filter Cartridge 27"   | ***    |
| Q060036    | P61 Filter Cartridge 27" SECURUS                                   | ***    |
| Q060037    | P61 Filter Cartridge 27" SECURUS with CO removal                   | ***    |

**VARIOUS ORIGINAL COMPRESSOR PARTS BAUER**

|             |  |     |
|-------------|--|-----|
| QN4823      | Air Intake Filter Cartridge Junior, Poseidon 100             | *** |
| QN70        | Air Intake Filter Profiline I (Old models)                   | *** |
| QN25950     | Air Intake Filter Profi Line II (New Models)                 | *** |
| QN37236     | LP Air Filter  | *** |
| Q112104     | Air-Oil separating Element                                   | *** |
| QN25326     | Oil Filter Element Profi Line II (New Models)                | *** |
| Q071744     | Filling valve without gauge, 200Bar                          | *** |
| Q071743     | Filling valve without gauge, 300Bar                          | *** |
| Q071743     | Filling valve without gauge, 300Bar                          | *** |
| Q071343     | Filling valve with gauge, 200Bar                             | *** |
| Q191036     | Filling valve with gauge, 200Bar exch.f.071343               | *** |
| Q191037     | Filling valve with gauge, 300Bar exch.f.071344               | *** |
| QN1315      | Filling gauge, stainless steel, 315Bar, G1/4" tapered        | *** |
| Q073080-KD  | Distributor incl. fitting (for connecting two filling hoses) | *** |
| Q059410-225 | Bauer generic safety valve, G3/8", 225Bar                    | *** |
| Q059410-330 | Bauer generic safety valve, G3/8", 330Bar                    | *** |
| Q059410-KD  | Bauer generic safety valve                                   | *** |
| Q059410-J   | Bauer generic safety valve                                   | *** |

**COMPRESSOR PARTS L & W**

|      |                                |     |
|------|--------------------------------|-----|
| M109 | Felt for LW 260 + 450 (5 pack) | 435 |
| M110 | Felt for LW 160-245 (5 pack)   | 285 |

**COMPRESSOR PARTS GENERAL**

|           |  |       |
|-----------|--|-------|
| MM01      | Mineral Compressor Oil Shell Corena S2 P150 - 1 Liter  | 525   |
| MM03      | Mineral Compressor Oil Shell Corena S2 P150 - 3 Liter  | 1,455 |
| MM05      | Mineral Compressor Oil Shell Corena S2 P150 - 5 Liter  | 2,385 |
| M100-C    | Activated Carbon 500gr.                                | 440   |
| M100-S    | Molecular Sieve 1000gr.                                | 740   |
| M100-Pack | Pack 1000gr. Molecular Sieve & 500gr. Activated Carbon | 1,180 |
| M105      | Felt, one sqm (1m x 1m)                                | 1,465 |
| M107      | Felt for Filter P41, (5 set)                           | 825   |
| M108      | Felt for Filter P31, (5 set)                           | 675   |
| M111      | Felt for Filter P21 (5 set)                            | 190   |
| M106      | Felt for Coltri 40mm (20 pcs)                          | 225   |
| M103      | Felt for Coltri/Nardi 68mm (20pcs)                     | 675   |

**FILLING VALVES, ADAPTERS, GAUGES, ETC.**

|             |   |        |
|-------------|---|--------|
| SDY1        | DIN Adaptor Saekodive   | 2,195  |
| SDY2        | Tank Yoke DIN Adaptor 300Bar Saekodive                              | 1,940  |
| SDY3        | Tank Filling Valve w/o Gauge, Saekodive                             | 5,250  |
| SDY3F#1     | Yoke Knob for SDY3 and SDY1   | 680    |
| M400        | Tank Yoke Filling Connector   | 2,700  |
| V1117       | Filling gauge, stainless steel, oil filled, G1/4" straight          | 1,070  |
| V784 28079B | Filling gauge, stainless steel, oil filled, G1/4" tapered           | 930    |
| V949 61051  | Gauge protection boot   | 340    |
| MAB180@     | 300/200 bar Brass filling adaptor                                   | 8,100  |
| MAB174      | Brass filling connector 4 port                                      | 3,885  |
| MAB170      | Bleeding Manifold Brass (w/o. valves)                               | 1,785  |
| Q068870-M   | Adapter, Bauer filling valve w std filling hose (non-swivel, local) | 3,285  |
| V784R121G   | Pressure Gauge, Panel Mount, 100mm, 16 Bar, G 1/2"                  | 7,485  |
| MAQ504      | Safety valve, 0 - 6,000 PSI relief pressure                         | 5,175  |
| MAQ415600   | Reducing Regulator, 0 - 6,000 PSI out, 1/4" FNPT                    | 21,625 |
| MAQ657      | Regulator mount bracket   | 2,380  |

**FILLING HOSES**

|             |   |       |
|-------------|---|-------|
| M120        | 0.7m Filling hose 300Bar, TUV tested, Made in Germany | 2,475 |
| M117        | 4m Filling hose 225 Bar (steel connector)             | 2,540 |
| M118        | 5m Filling hose 225 Bar (steel connector)             | 3,050 |
| M112SS      | 1m Filling hose 225 Bar (stainless steel connector)   | 2,290 |
| M113SS      | 1.5m Filling hose 225 Bar (stainless steel connector) | 2,840 |
| M114SS      | 2m Filling hose 225 Bar (stainless steel connector)   | 2,960 |
| M115SS      | 3m Filling hose 225 Bar (stainless steel connector)   | 3,630 |
| M117SS      | 4m Filling hose 225 Bar (stainless steel connector)   | 4,425 |
| M118SS      | 5m Filling hose 225 Bar (stainless steel connector)   | 4,975 |
| MFLEX-O2-SS | 1.5m O2 Hose (1/4" tapered stainless steel connector) | 4,275 |

**ORIGINAL BAUER STORAGE BOTTLES & PARTS**

|        |   |     |
|--------|---|-----|
| QB80-L | 80 Liter Storage Cylinder, upright, loose, 330 Bar                                      | *** |
| QB80-W | 80 Liter Storage Cylinder, upright, with wall mounting, 330 Bar                         | *** |
| QB80-C | 80 Liter Storage Cylinder, mounted on Console, 330 Bar                                  | *** |
| QB50-C | 50 Liter Storage Cylinder, mounted on Console, 420 Bar                                  | *** |
|        | U-Bolt for Wall mounting  | *** |
|        | Connecting Tube 8 x 1.5mm (to connect 2 storage cylinders)                              | *** |
|        | Pressure Gauge 400 bar, loose supply  | *** |
|        | Safety Valve 225 Bar, 330 Bar, 350 Bar or 365 Bar and pressure Gauge, mounted on Conole | *** |
|        | Safety Valve 420 Bar and pressure Gauge, mounted on Conole (only B50)                   | *** |
|        | Safety Valve additionally with T?V certificate  | *** |

**OTHER STORAGE BOTTLES AND PARTS**

|        |  |     |
|--------|--|-----|
| MAB1   | Pressure Vessel 50 ltr. 300/450Bar w. DIN valve & cap        | *** |
| MAB900 | Valve for Pressure Vessel 300 Bar                            | *** |
| MAB149 | Valve Connector Brass, G 5/8" outside, G 1/4" inside 300 Bar | *** |
| MAB6   | High pressure Pipe 6mm stainless steel (per meter)           | *** |
| MAB8   | High pressure Pipe 8mm stainless steel (per meter)           | *** |
| MAB10  | High pressure Pipe 10mm stainless steel (per meter)          | *** |



# SCUBA EQUIPMENT SERVICE AND RENTAL



**REGULATOR SERVICE**

|      |  |       |
|------|--|-------|
| 1020 | Regulator 1st Stage  | 600   |
| 1021 | Regulator 2nd Stage / Octopus                              | 500   |
| 1022 | Regulator full set service (1st Stage, 2nd Stage, Octopus) | 1,400 |
| 1040 | Inflator Service   | 400   |
| 1050 | Scubapro Air2  | 600   |
| 1060 | Pressure Gauge (incl. new O-Rings)                         | 250   |
| 1025 | Regulator First Stage O2 cleaning/Nitrox Conversion        | 1,500 |

**NOTE: Brands NOT supplied by Dive Supply will incur a 20% surcharge on the above Regulator Service Charges**

**Regulator Service Kit**

|              |   |     |
|--------------|---|-----|
| XZ10.042.045 | Service Kit Mark 2                        | 775 |
| XZ10.063.045 | Service Kit Mark 2 Evo                    | 925 |
| XZ11.300.045 | Service Kit R190 / R295/ R395 / R380 / HP | 825 |
| XZ21.626.045 | Service Kit Balanced Inflator             | 775 |

**COMPUTER SERVICE****Battery Replacement & Service fee does not include parts or batteries**

|      |  |       |
|------|--|-------|
| 1000 | Battery Replacement & Service Suunto D-series, Spyder/Stinger                              | 900   |
| 1010 | Battery Replacement & Service - all other Suunto Computers                                 | 300   |
| 1001 | Battery Replacement & Service - all watches  | 900   |
| 1002 | Battery Replacement & Service - Scubapro Xtender   | 1,050 |
| 1003 | Battery Repl. & Service - AladinPro/Sport/Ultra/SmartPro/SmartCom/Z/AladinAir/Air Z family | 1,800 |
| 1010 | Battery Replacement & Service - Aladin One, Prime, Tec, Tec 2G, Galileo family             | 450   |

**All Battery changes include pressure test**

**CYLINDER & VALVE SERVICE**

|      |   |     |
|------|---|-----|
| 1100 | Tank Valve removal/replacement (incl. new O-Rings)                      | 200 |
| 1110 | Tank Visual Inspection  | 200 |
| 1111 | Tank internal cleaning 1 hour   | 200 |
| 1117 | Tank Valve Service  | 250 |
| 1112 | Hydrostatic Test (incl. free visual inspection)                         | 600 |
| 1113 | Full Tank Service include all the above + tank air fill (1-9, per tank) | 900 |
| 1113 | Full Tank Service include all the above + tank air fill (10+, per tank) | 900 |
| 1116 | Tank Neck cutting   | 900 |
| 1118 | Tank Non Destructive Test NDT   | 300 |
| 1095 | Tank O2 cleaning for Nitrox use   | 400 |
| 1096 | Valve O2 cleaning for Nitrox use  | 200 |

**AIRBANK OXYGEN CYLINDER TESTING**

|      |                        |     |
|------|------------------------|-----|
| 1081 | Hydrostatic Test       | xxx |
| 1091 | Tank internal cleaning | xxx |
| 1101 | Tank Visual Inspection | xxx |

**FILLING CHARGES**

|      |                           |     |
|------|---------------------------|-----|
| 1123 | Tank Filling per Tank Air | 100 |
| 1124 | Oxygen fill, per 3L tank  | 400 |

**RENTAL CHARGES**

|      |   |       |
|------|---|-------|
| 1121 | Tank S80 - Air  | 200   |
| 1125 | Compressor per day - minimum 3 days; deposit required | 4,700 |

**All Rental Charges must be paid at pick-up**

**COMPRESSORS**

|        |  |        |
|--------|--|--------|
| 1149   | L&W 225/245 Annual Service charges (normal condition)                            | 12,000 |
| 1149-1 | L&W 225/245 Annual Service charges (if very rusty)                               | 16,000 |
| 1150   | Bauer Junior, Utilus, Capitano, Oceanus incl. Paint                              | 10,000 |
| 1150-1 | Bauer Mariner 2 incl. Paint  | 12,000 |
| 1151   | Bauer Junior, Utilus, Capitano, Oceanus, incl. Paint and if very rusty           | 12,000 |
| 1151-1 | Bauer Mariner 2, incl. Paint and if very rusty                                   | 14,000 |
| 1152   | Bauer Mini Verticus, Kap 14, Verticus, Mariner III                               | 17,000 |
| 1152-1 | Bauer Mini Verticus, Kap 14, Verticus, Mariner III incl. Paint and if very rusty | 19,000 |
| 1600   | Compressor Air Test + Certification for pure air                                 | 4,250  |
| 1500   | Service charge per hour (minimum charge 450 Baht)                                | 1,500  |

**Mobilization Fee for our technician**

|      |                       |     |
|------|-----------------------|-----|
| 1210 | Khao Lak              | xxx |
| 1220 | Krabi                 | xxx |
| 1230 | Phi Phi               | xxx |
| 1240 | Koh Lanta             | xxx |
| 1250 | Koh Tao / Koh Phangan | xxx |
| 1260 | Bangkok / Koh Samui   | xxx |
| 1270 | Pattaya / Koh Chang   | xxx |

**Mobilization fee does not include hourly service charge or accommodation.**

**Where deemed necessary by our technician, accommodation must be provided at customer's expense**

**Service Charges do not include parts**



Dive Supply offers SCUBAPRO Technical Training at Dive Supply Phuket Head office regularly throughout the year.

**SCUBAPRO Technician Level 1** for Dive Master, Dive Instructor or Service Technician  
- duration 1 day  
Content: Non-Balanced systems - MK2Evo, R Series Regulators, BPI.

The program covers theory & mechanical operation of Scubapro dive equipment, including related dive physics, repair, test, service skills & procedures.

**Prerequisite:** Dive Master, Dive Instructor or Service Technician

**Language:** English

**Location of Training:** Dive Supply Phuket, Chalong

**Duration:** 1 Day 9:00 - 17:30

**Certificate:** Upon successful completion of the program, participants will receive a certificate from SCUBAPRO authorizing them to provide technical servicing on SCUBAPRO rental equipment covered during the training under the supervision of a SCUBAPRO authorized dealer.

**Seminar Fee for each participant:** 3,000 Baht

**Please contact:** [Service@divesupply.com](mailto:Service@divesupply.com) or your local Dive Supply Branch to reserve a space on our next SCUBAPRO Technical's course

## WETSUIT PRINTS

|            |  |     |
|------------|--|-----|
| 1138       | Block for one color printing (only payable first time) | xxx |
| 1138       | Block per extra color                                  | xxx |
| 1139-1     | Logo Print one color, 1 to 9                           | xxx |
| 1139-1-10+ | Logo Print one color, 10+                              | xxx |
| 1139-2     | Logo Print per additional color, 1 - 9                 | xxx |
| 1139-2-10+ | Logo Print per additional color, 10+                   | xxx |
| 1144       | Size Print (one color)                                 | xxx |
| 1144       | Number Print (one color)                               | xxx |

## LOG BINDER STITCHING

Logo Stitching (per binder) - Minimum Order: 50 binders xxx

**Note:** Detailed embroidery or multiple colors may attract additional factory charges - please ask for details.

## GEAR BAG PRINT ( DB8010 / DB8020 )

|            |  |     |
|------------|--|-----|
| 1138       | Block for one color printing (only payable first time) | xxx |
| 1138       | Block per extra color                                  | xxx |
| 1140-1     | Logo Print one color, 1 to 9                           | xxx |
| 1140-1-10+ | Logo Print one color, 10+                              | xxx |
| 1140-2     | Logo Print per additional color, 1 - 9                 | xxx |
| 1140-2-10+ | Logo Print per additional color, 10+                   | xxx |
| 1144       | Number Print (one color)                               | xxx |

## DRY BAG CUSTOM PRINT ( 5L, 10L & 15L bags only )

|             |  |     |
|-------------|--|-----|
| 1138        | Block for one color printing (only payable first time) | xxx |
| 1138        | Block per extra color                                  | xxx |
| 1141-1      | Logo Print one color, 1 to 99                          | xxx |
| 1141-1-100+ | Logo Print one color, 100+                             | xxx |
| 1141-2      | Logo Print per additional color, 1 - 99                | xxx |
| 1141-2-100+ | Logo Print per additional color, 100+                  | xxx |

### Max. Print size:

5L: 12cm(W) x 14cm(H)

10L: 12cm(W) x 18cm(H)

15L: 15cm(W) x 18cm(H)

## WATERPROOF POUCH 38 x 30CM PRINT

|            |  |     |
|------------|--|-----|
| 1138       | Block for one color printing (only payable first time) | xxx |
| 1138       | Block per extra color                                  | xxx |
| 1142-1     | Logo Print one color, 1 to 9                           | xxx |
| 1142-1-10+ | Logo Print one color, 10+                              | xxx |
| 1142-2     | Logo Print per additional color, 1 - 9                 | xxx |
| 1142-2-10+ | Logo Print per additional color, 10+                   | xxx |

## MASK STRAP PRINT

|            |  |     |
|------------|--|-----|
| 1138       | Block for one color printing (only payable first time) | xxx |
| 1138       | Block per extra color                                  | xxx |
| 1143-1     | Logo Print one color, 1 to 9                           | xxx |
| 1143-1-10+ | Logo Print one color, 10+                              | xxx |
| 1143-2     | Logo Print per additional color, 1 - 9                 | xxx |
| 1143-2-10+ | Logo Print per additional color, 10+                   | xxx |

# WETSUITS



DEEP BLUE SPORTFLEX SHORTY



DEEP BLUE SPORTFLEX PRO STEAMER

# CUSTOM PRINTING BY DIVE SUPPLY

WE CAN PRINT:  
LOGOS  
NAMES  
NUMBERS  
SIZES  
**JUST ASK!**

## MASK STRAPS



DEEP BLUE MASK STRAPS



DEEP BLUE MASK STRAP COVERS

## DRY BAGS



DEEP BLUE ADVENTURE DRY BAGS

## LOG BINDERS



DEEP BLUE LOG BINDERS

## POUCH



DEEP BLUE WATERPROOF POUCH

## GEAR BAG



DEEP BLUE GEAR BAG - 65 LITERS



DEEP BLUE GEAR BAG - 90 LITERS

# ข้อกำหนดและเงื่อนไขของบริษัท ไต้ซัพพลาย จำกัด

ตัวแทนจำหน่ายคือความแข็งแกร่งของเรา - ยินดีต้อนรับสู่การเป็นส่วนหนึ่งของบริษัท ไต้ซัพพลาย

## ข้อกำหนดทั่วไป

ในการเป็นตัวแทนจำหน่ายและรับสิทธิประโยชน์จากราคาขายส่งจากบริษัท ไต้ซัพพลาย คุณต้องมีคุณสมบัติอย่างน้อย 1 ข้อ ดังต่อไปนี้:

- ร้านค้าหรือสำนักงานที่มีการจัดแสดงสินค้าเพื่อการขายปลีก
- ผู้ประกอบการเรือ Live-aboard หรือ Day-Trip
- ผู้ประกอบการบริษัททัวร์ หรือ Snorkeling
- ผู้ประกอบการโรงแรมหรือรีสอร์ท

การเปิดบัญชีตัวแทนจำหน่ายรายใหม่จะต้องเป็นไปตามข้อกำหนดของตัวแทนจำหน่าย กรอกใบสมัครตัวแทนจำหน่ายและส่งสำเนาหนังสือรับรองบริษัท บุคคลที่ไม่เป็นไปตามข้อกำหนดข้างต้นไม่สามารถซื้อสินค้าในราคาขายส่งจากไต้ซัพพลายได้ การซื้อครั้งแรก 50,000 บาทขึ้นไป และจะต้องมียอดการซื้อไม่น้อยกว่า 50,000 บาทต่อปี เพื่อรักษาสถานะการเป็นตัวแทนจำหน่ายของไต้ซัพพลายและสิทธิ์การเข้าถึงราคาขายส่ง

## เงื่อนไขการชำระเงิน

การสั่งซื้อในครั้งแรกของตัวแทนจำหน่ายรายใหม่จะต้องชำระเงินล่วงหน้าก่อนจัดส่งสินค้าเท่านั้น ตัวแทนจำหน่ายที่ชำระเงินด้วยบัตรเครดิตจะถูกเรียกเก็บเงินเพิ่ม 2% (4% สำหรับ AMEX) สำหรับตัวแทนจำหน่ายที่ค้างชำระจะไม่จัดส่งสินค้าจนกว่าจะได้รับการชำระเงินเต็มจำนวน เงื่อนไขจะขึ้นอยู่กับวันที่ในใบแจ้งหนี้ ในกรณีเกิดการชำระล่าช้าบริษัทจะคิดค่าธรรมเนียมตามอัตราร้อยละสูงสุดที่กฎหมายบังคับใช้นับจากวันที่ออกใบเสร็จ/ใบกำกับภาษี

## นโยบายการคืนสินค้า

การรับคืนสินค้าใดก็ตาม (นอกเหนือจากการคืนสินค้าที่เกี่ยวข้องกับการร้องขอการรับประกัน) จะถูกจำกัดเฉพาะสินค้าที่ผลิตในปัจจุบัน กล่องและป้ายราคาจะต้องอยู่ในสภาพเดิมและอยู่ในสภาพที่ขายได้ ภายในระยะเวลา 21 วัน นับจากวันที่ออกใบเสร็จ/ใบกำกับภาษี เกรดผิดหรือการแลกเปลี่ยนสินค้าขึ้นอยู่กับดุลยพินิจของบริษัทไต้ซัพพลายแต่เพียงผู้เดียว เกรดผิดใดๆ ที่ออกโดยบริษัทไต้ซัพพลายจะเป็นราคาซื้อเดิมของสินค้าบวกกับค่าธรรมเนียมการบรรจุสินค้าใหม่ 15% ของราคาซื้อเดิม จะต้องได้รับการอนุมัติจากบริษัทไต้ซัพพลาย และบริษัทไต้ซัพพลายจะไม่รับผิดชอบสำหรับการสูญหายหรือความเสียหายที่เกิดขึ้นในระหว่างการขนส่งสินค้าไปยังบริษัทไต้ซัพพลาย

## นโยบายการจัดส่ง

หลังจากที่สินค้าถูกส่งออกจากคลังสินค้าของบริษัทไปแล้ว บริษัทไต้ซัพพลายจะไม่รับผิดชอบต่อความเสียหายหรือการฉีกขาดซึ่งเกิดจากผู้ให้บริการขนส่งสินค้าที่ได้รับความเสียหายและการชำระจะต้องส่งถึงบริษัทไต้ซัพพลาย ภายใน 48 ชั่วโมงหลังจากได้รับสินค้า

## นโยบายการสั่งซื้อสินค้าในขณะที่สินค้าหมด (Back Order)

คำสั่งซื้อสินค้าที่ไม่มีสินค้าอยู่ในคลังสินค้า ณ ขณะนั้น ทางบริษัทจะทำเก็บบันทึกไว้ เมื่อสินค้าพร้อมจะถูกจัดส่งโดยอัตโนมัติเว้นแต่จะมีการตกลงเป็นอย่างอื่น

## นโยบายราคาและส่วนลด

ราคาของสินค้าอาจมีการเปลี่ยนแปลงโดยไม่ต้องแจ้งให้ทราบล่วงหน้า เพื่อประโยชน์ของผู้เข้าร่วมตลาดทุกคน ไต้ซัพพลายไม่แนะนำให้ขายสินค้าในราคาขายส่งหรือราคาที่บวกเพิ่มเพียงเล็กน้อย เว้นแต่จะได้รับการอนุมัติล่วงหน้าจากไต้ซัพพลาย ราคาขั้นต่ำที่สามารถโฆษณาในรายการปกติใดๆ จะต้องมีส่วนลดไม่เกิน 15% จากราคาขายปลีกที่เราแนะนำ (RRP) ไต้ซัพพลายขอสงวนสิทธิ์ในการยุติการจำหน่ายสินค้าให้กับลูกค้าที่ไม่ปฏิบัติตามกฎเหล่านี้และได้กระทำผิดซ้ำๆ เพื่อยกเลิกข้อตกลงทางธุรกิจ

## การรับประกัน

- บริษัทไต้ซัพพลายรับประกันสินค้า 1 ปีนับจากวันที่ซื้อสินค้ากับทางบริษัทไต้ซัพพลาย และที่ซื้อจากตัวแทนจำหน่าย สินค้าที่ได้รับการรับประกันต้องอยู่ในสภาพสมบูรณ์ภายใต้การใช้งานที่ปกติ และมีการบำรุงรักษาที่เหมาะสม
- อาจมีกฎระเบียบเพิ่มเติมหรือข้อบังคับพิเศษสำหรับสินค้าแบรนด์ต่างๆ ตามข้อกำหนดและเงื่อนไขการรับประกันเฉพาะของซัพพลายเออร์ของบริษัทไต้ซัพพลาย
- การรับประกันนี้ไม่ครอบคลุมถึงสินค้าที่ถูกใช้งานผิดวิธี การติดตั้งที่ไม่เหมาะสม การดัดแปลง การบำรุงรักษาที่ไม่เหมาะสมละเลยในการดูแล หรือการรับบริการซ่อมแซมที่ดำเนินการโดยบุคคลอื่นที่ไม่ใช่ตัวแทนจำหน่ายหรือช่างเทคนิคของไต้ซัพพลาย
- สำหรับลูกค้าที่รับบริการการรับประกัน สินค้าจะต้องส่งมอบให้กับตัวแทนจำหน่ายที่ซื้อสินค้านั้นๆ พร้อมกับหลักฐานการซื้อ ตัวแทนจำหน่ายจะต้องส่งสินค้าคืนมาให้กับบริษัทไต้ซัพพลาย ตามที่อยู่ 88/5 ม.10 ถ.ปฎัก ต.ฉลอง อ.เมือง จ.ภูเก็ต 83130 เพื่อตรวจสอบว่าสินค้านั้นได้รับการรับประกันตามข้อกำหนดและเงื่อนไขที่ระบุมาข้างต้นหรือไม่ การคืนสินค้าทุกกรณี อยู่ภายใต้บทบัญญัติของนโยบายการคืนสินค้า
- ในกรณีที่บริษัทไต้ซัพพลายอนุมัติการรับประกันตามข้อกำหนดข้างต้น ด้วยวิธีการซ่อมแซม การเปลี่ยนชิ้นส่วน ซึ่งเป็นดุลยพินิจของบริษัทเท่านั้น หากสินค้าไม่สามารถซ่อมแซมหรือเปลี่ยนชิ้นส่วนได้ทางบริษัทไต้ซัพพลายจะออกเครดิตให้กับตัวแทนจำหน่ายไม่เกินราคาของสินค้าที่ทางตัวแทนจำหน่ายได้ทำการสั่งซื้อ
- การเรียกร้องการรับประกันทั้งหมดจะต้องแนบสำเนาใบเสร็จ/ใบกำกับภาษีของสินค้ามาด้วย

ราคาอาจเปลี่ยนแปลงได้โดยไม่ต้องแจ้งให้ทราบล่วงหน้า

# TERMS AND CONDITIONS

---

OUR DEALERS ARE OUR STRENGTH – WELCOME TO THE DIVE SUPPLY COMMUNITY

## GENERAL TERMS

To become a DIVE SUPPLY Dealer and benefit from DIVE SUPPLY trade prices, you must meet at least one of the following criteria:

- Shop or office with goods on display for retail business
- Live-aboard or day-trip boat operator
- Snorkeling or tour operator
- Hotel or resort operator

New accounts must meet the dealer requirements, complete a dealership application and submit a copy of the company registration. Individuals who do not meet the above requirements are strictly prohibited from purchasing at trade prices from DIVE SUPPLY. At the opening, a first purchase or store credit of 50,000 is required. A dealer's annual purchases from DIVE SUPPLY must exceed 50,000 Baht to qualify for continued dealer status and access to trade prices.

## PAYMENT TERMS

First orders to new dealers will only be shipped prepaid or cash on delivery. Dealers that pay with credit card will be charged an extra 2% (4% for AMEX). For overdue accounts DIVE SUPPLY will not ship goods until full payment is received. Terms are based on date of invoice. A finance charge based on the maximum percentage permitted by the applicable law shall be added to late payments calculated from the date the invoice was issued.

## RETURN POLICY

DIVE SUPPLY may, but is not obligated to, accept return of goods. For a 21 day period after date of invoice, any such returns (other than returns requested by DIVE SUPPLY in connection with warranty claims) will be limited to goods of current manufacture, in original packaging and in sellable condition. Credit or exchange of the merchandise is at the sole discretion of DIVE SUPPLY, any credits issued by DIVE SUPPLY will be for the original purchase price of the goods, PLUS a restocking charge of 15% of the original purchase price of the goods. Merchandise may not be returned without prior approval from DIVE SUPPLY. DIVE SUPPLY will assume no responsibility for losses or damages incurred on merchandise in transit to DIVE SUPPLY.

## SHIPPING POLICY

All prices are ex warehouse and shipments will not be insured by DIVE SUPPLY. DIVE SUPPLY shall not be held responsible for any damage or shortage, which is caused by the carrier. Shortages or damage claims to the carrier and to DIVE SUPPLY must be made within 48 hours upon receipt of goods.

## BACK ORDER POLICY

Back orders shall automatically be shipped unless agreed otherwise.

## PRICE POLICY AND DISCOUNTS

DIVE SUPPLY prices are subject to change without prior notice. In the interest of all market participants DIVE SUPPLY does not endorse the sale or passing on of our products to third parties at trade price or slightly above, unless pre-approved by DIVE SUPPLY. The Minimum Advertized Price on any regular stock item must NOT exceed 15% discount from our recommended retail price (RRP). DIVE SUPPLY reserves the right to discontinue the supply of certain product lines to customers who do not follow these conditions and in repeated cases, to terminate the business agreement.

## WARRANTY

1. DIVE SUPPLY warrants to the original consumer purchaser that, for the period of one year from date of purchase, each DIVE SUPPLY product not otherwise warranted and purchased from an authorized DIVE SUPPLY dealer will be free from defects in materials and workmanship under normal use and with reasonable maintenance.

2. Additional or special regulations may apply to different brands according to the specific warranty terms and conditions of DIVE SUPPLY's suppliers.

3. The warranty does not apply to goods that have been subject to abuse, misuse, improper installation, alteration, improper maintenance, neglect of care or maintenance or repair service performed by someone other than an authorized DIVE SUPPLY dealer or technician.

4. For the original consumer purchaser to obtain warranty service, the affected product must be delivered to the DIVE SUPPLY dealer it was purchased from, together with proof of purchase. The DIVE SUPPLY dealer is required to return the goods to DIVE SUPPLY at 88/5 Moo 10, Patak Road, T. Chalong, A. Muang, Phuket 83130, for verification that the warranty set forth in these terms and conditions is applicable. Any such returns are subject to the provisions in the RETURN POLICY section.

5. In the event DIVE SUPPLY determines that the warranty set forth above is applicable to any goods, DIVE SUPPLY shall, as the sole remedy, replace, repair or at DIVE SUPPLY's sole discretion, issue to the dealer a credit for an amount not to exceed the original purchase price paid by the dealer for the affected goods. In no event shall DIVE SUPPLY be liable to the dealer or the original consumer purchaser for any special, incidental or consequential damages.

6. All warranty claims must be accompanied by a copy of the original purchase invoice.

## PRICES ARE SUBJECT TO CHANGE WITHOUT PRIOR NOTICE



# A New & Easier Way to Pay at **Dive Supply**

Phuket

## Introducing QR Payment


# NO BANK FEE

*“ When you scan our QR Code  
with any mobile banking app ”*

We now have 3 bank accounts for you to choose



**ธนาคารกสิกรไทย**  
开泰银行 KASIKORNBANK  
**038-1-59704-0**  
BRANCH : HA YAEK CHALONG



**ธนาคารกรุงเทพ**  
**Bangkok Bank**  
**563-0-29234-9**  
BRANCH : PATONG



**ธนาคารไทยพาณิชย์**  
SIAM COMMERCIAL BANK  
**601-2-74757-1**  
BRANCH : PATONG

Contact us  
sales@divesupply.com  
www.divesupply.com  
076-383414-6

Follow us on  
LINE



Follow us on  
Facebook



บริษัท ไดฟ์ ซัพพลาย จำกัด  
DIVE SUPPLY CO.,LTD.

1   
QR Code

Mobile PIN

● ● ● ● ● ●

Select “QR code”  
on the menu

2 

Scan QR code

3 **Confirm**

|   |              |
|---|--------------|
| Account                                   | XXX-X-XXXX-X |
| Mobile No.                                | XXX-XXX-XXXX |
| Recipient's Mobile Phone No.<br>PromptPay |              |
| Amount (฿)                                | X,XXX.XX     |

Check Account Name  
and amount

4 

You have successfully  
transferred

Done!



## **DIVE SUPPLY HISTORY**

### **Diving & Snorkeling Equipment Wholesale Specialist**

Dive Supply is the leading distributor and wholesaler of major brand name scuba diving and water sports equipment in South East Asia and is the exclusive distributor for Scubapro, Suunto, Bauer Compressors, Deep Blue Products, Saekodive, Catalina Cylinders, Thunderbird Cylinders, Thermo Valves and Tovatec . Other brands in our ever expanding portfolio include Pelican, Seac, Vandagraph, Maxtec, Olympus and many more.

We operate from our 1,500 sqm custom built warehouse in Chalong, Phuket, where we have a fully equipped service center and show room.

If you are looking for the leading brands in Diving and Snorkeling Equipment along with value for money and excellent customer service then Dive Supply is the place to come.

We have a product portfolio which is second to none and we are the main distributor for PADI materials throughout Thailand.



[sales@divesupply.com](mailto:sales@divesupply.com)  
[www.divesupply.com](http://www.divesupply.com)  
[facebook/DiveSupply](https://facebook.com/DiveSupply)



Dive Supply Co., Ltd.  
88/5 Moo10 Patak Road,  
Chalong,Phuket,Thailand



Tel : +66 (0) 76 383 414-6  
Fax : +66 (0) 76 281 525







**Dive Supply Main Office (Phuket)**

**[sales@divesupply.com](mailto:sales@divesupply.com)**

**Tel : +66 (0) 76 383 414-6**

**Fax : +66 (0) 76 281 525**

**Dive Supply Bangkok**  
**[contact@divesupplybkk.com](mailto:contact@divesupplybkk.com)**

**Tel : +66 (0) 2 354 4815**

**Fax : +66 (0) 2 354 4819**

**Dive Supply Koh Tao**  
**[kohtao@divesupply.com](mailto:kohtao@divesupply.com)**

**Tel : +66 (0) 95 424 4273**

**Koh Chang Dive Supply**  
**[info@kohchangdivesupply.com](mailto:info@kohchangdivesupply.com)**

**Tel : +66 (0) 39 551 518**

**Fax : +66 (0) 39 551 519**